

## Thank you for purchasing a SilverLynx product

As one of Australia's leading bedroom furniture manufacturers, we have long established partnerships with Australia's most successful retailers.

Customers who buy our products recognise our commitment to quality and customer satisfaction.

SilverLynx is a **values**-based business. Our commitment to quality, evolving design leadership, customer service and exceeding customer expectations - is unsurpassed in the industry.

Enjoy your SilverLynx product.

# SILVER LYNX



## FLOATING BASE BED

### Assembly Instructions

Please retain these instructions for future reference

Please read through these assembly instructions carefully to ensure that you can assemble your new purchase without stress. These detailed instructions will guide you on how to prepare and assemble your bedroom suite.

#### DIFFICULTY

##### NOVICE

One person, no additional equipment

##### MODERATE

Two people, no additional equipment

##### MODERATE\*

Two people, additional equipment required

##### EXPERT

Qualified tradesperson recommended



WE ADVISE YOU **DO NOT** USE POWERED DRILLS TO ASSEMBLE **ANY BOLTS** ON THIS BED

#### EQUIPMENT PROVIDED

**Hardware Pack:** containing - **12x** (M6) 10mm button head bolts; **2x** 38mm screws; **1x** allen key

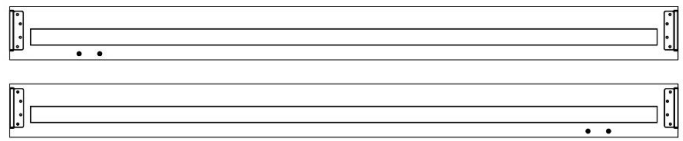
*\*NOTE: The hardware pack may contain more items than required. Please contact our sales team if you have any questions/concerns.*

#### Bed Frame Parts:



Bedhead\*

2x Siderails



Bed Foot



Floating Bar

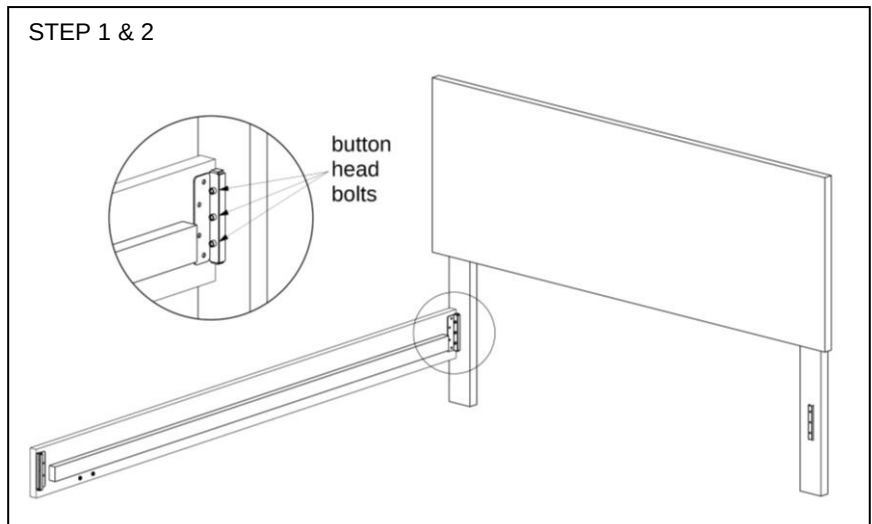
*\*Please note - your Bedhead & Foot may look different to the above, however the following instructions will still apply*

**Slat System:** See the attached document "Amendment to instructions for all SilverLynx beds".

**STEP 1** – Position Bed Head and Siderails approximately where your bed is to be set up, making sure the two button head bolts that are pre-fitted to your Siderails are closest to the foot end of the bed (this is where the *Floating Bar* will go). Connect the Siderails to the Bed Head by hooking the Siderail brackets onto the Head brackets.

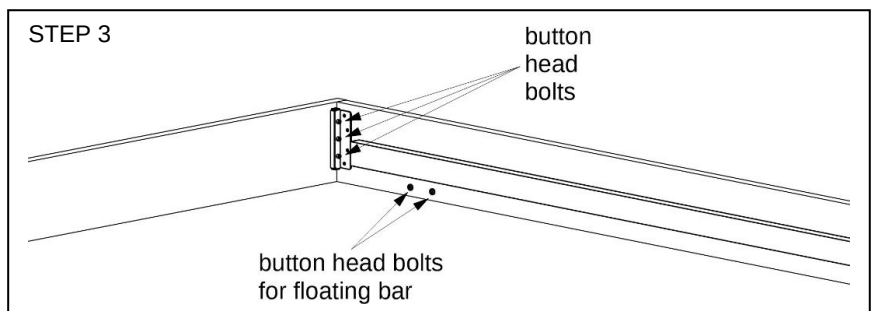
**STEP 2** – Screw three button head bolts (M6) into the position shown to connect the Siderails to the Bed Head and tighten (finger tight only).

*Having trouble? See \*Helpful Tips\* at the end of this document.*



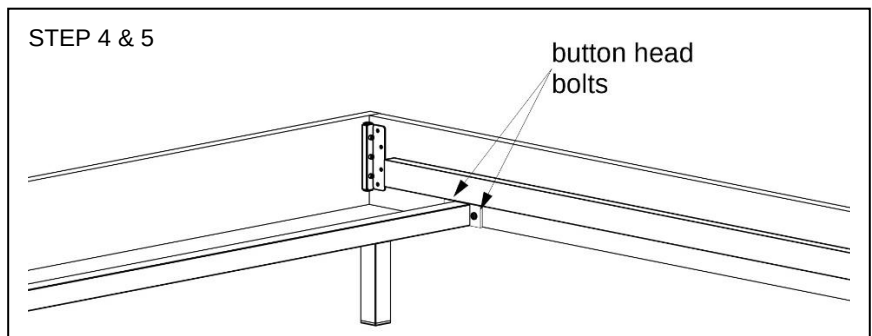
**STEP 3** – Complete the above process on the other Siderail, then repeat with the Foot Panel.

*Having trouble? See \*Helpful Tips\* at the end of this document.*



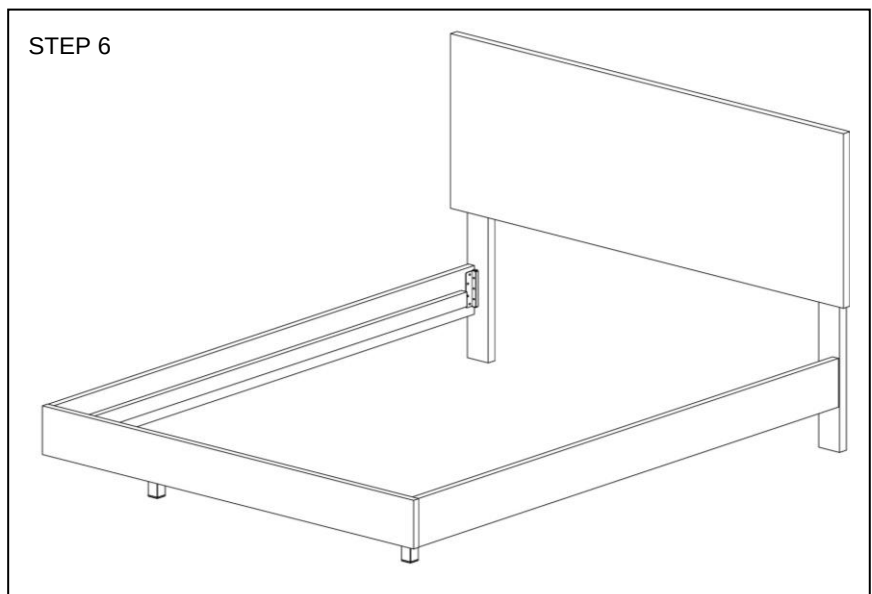
**STEP 4** – Remove the two button head bolts for the Floating Bar from the foot end of each side rail. Gently lift the Siderails and position the Floating Bar, lining up the holes on each end of the Floating Bar with the holes on the Siderails.

**STEP 5** – Using the bolts you removed from the Siderails, secure (finger tight) the Floating Bar in place.



**STEP 6** – Ensure that the bed is sitting square and then tighten all button head bolts using the allen key. Once snug, tighten only with ¼ turn of the Allen Key. DO NOT USE powered drills as over-tightening can cause foot end rail to bow. Your bed should now look like the following diagram.

**STEP 7** – To set up the slat and spine system, proceed to the instructions titles “Amendment to instructions for all SilverLynx beds”. Note the 2x 38mm screws provided in the hardware pack can be used in this section of the assembly.



### ***\*Helpful Tips\****

#### **STEP 2 & 3**

The button head bolts that connect the Siderails to the Bed Head & Foot can sometimes be tricky to align. If you are having trouble, try supporting the bottom edge of the Siderail near the bracket and lift it up while you connect the bolts. This can help line up the holes in both brackets so that the bolt can connect easily.

#### **GENERAL**

Make sure not to tighten bolts before attaching all components and making sure they sit square. Once you are ready, make sure all bolts are snug, then tighten **only** with ¼ turn of the Allen Key. **DO NOT USE** powered drills as over-tightening can cause components to bow.

Never force bolts if you can feel resistance as this can cause the thread to strip. Try to adjust the hole alignment until your bolt can connect easily by hand.

### **NOTES**

- Button head bolts should be regularly inspected and may need to be retightened periodically
- **Never drag or move assembled bed as this may damage the bed**

### **CARE & MAINTENANCE**

Your SilverLynx product is crafted with care, properly maintained, it will mature over time developing a rich deep patina enhancing its appearance. To get the best performance from your SilverLynx product, please follow the simple care instructions listed below.

- Do not use silicone based polishes/cleaners at any time.
- Dust surfaces gently with a feather duster then wipe gently with a slightly damp cloth/chamois.
- Do not allow liquids, damp clothes to remain in contact with lacquered surface for extended periods.
- Never place furniture in close proximity to heating outlets.
- Exposure to direct sunlight will cause colour fading to fabrics, leathers and timber finishes.
- Do not allow solvents, abrasives or heated objects to come in contact with the product.
- Do not use cordless drivers or power drills to tighten any bolts, as over-tightening can cause components to bow, and can cause damage to the bolts.

Contact your retailer or our sales office for further information

