

Thank you for purchasing a SilverLynx product

As one of Australia's leading bedroom furniture manufacturers, we have long established partnerships with Australia's most successful retailers.

Customers who buy our products recognise our commitment to quality and customer satisfaction.

SilverLynx is a **values**-based business. Our commitment to quality, evolving design leadership, customer service and exceeding customer expectations - is unsurpassed in the industry.

Enjoy your SilverLynx product.

QUEENS PLATFORM BASE BED with EXTENSIONS



Assembly Instructions

Please retain these instructions for future reference

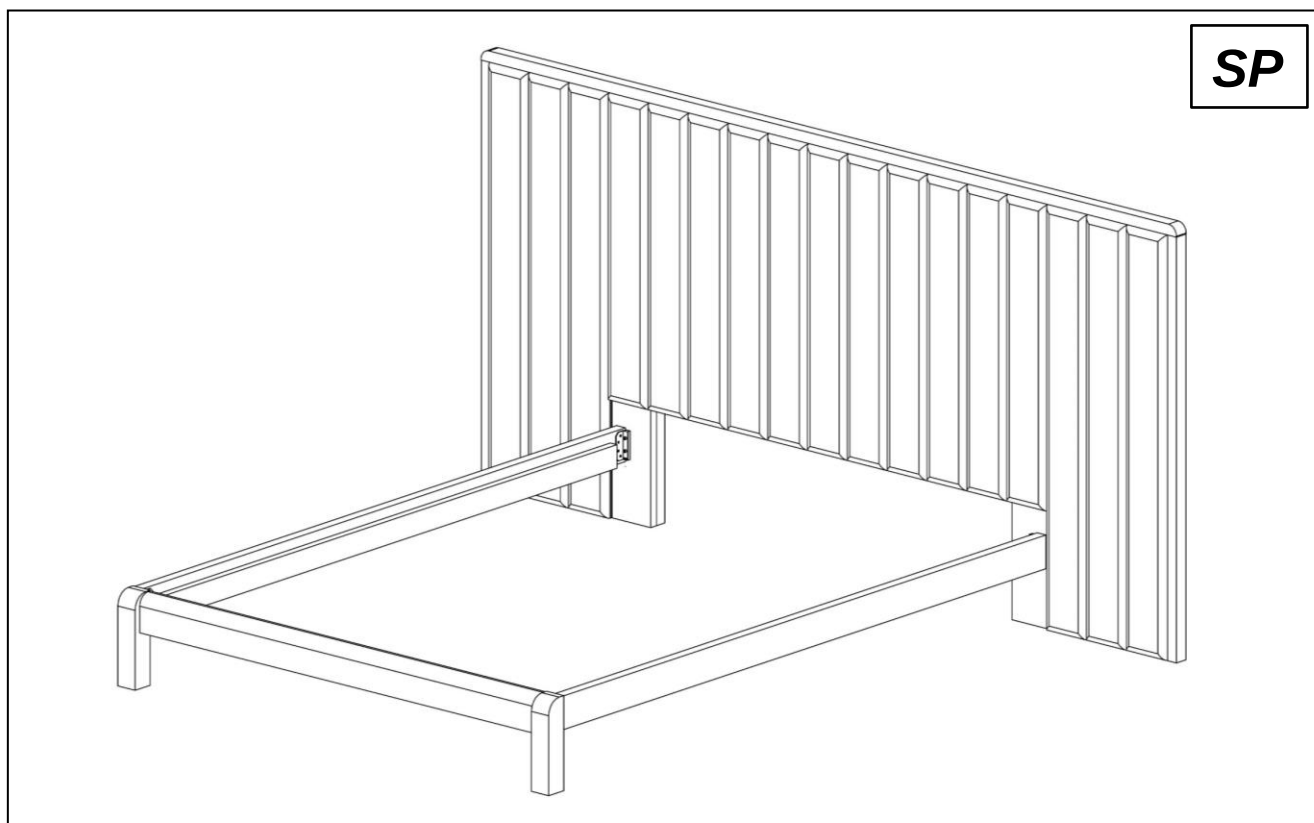
Please read through these assembly instructions carefully to ensure that you can assemble your new purchase without stress. These detailed instructions will guide you on how to prepare and assemble your bedroom suite.

DIFFICULTY

NOVICE One person, no additional equipment	MODERATE Two people, no additional equipment	MODERATE* Two people, additional equipment required	EXPERT Qualified tradesperson recommended
--	--	---	---



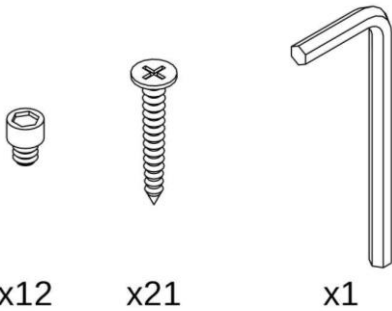
WE ADVISE YOU DO NOT USE POWERED DRILLS TO ASSEMBLE ANY BOLTS ON THIS BED



EQUIPMENT PROVIDED

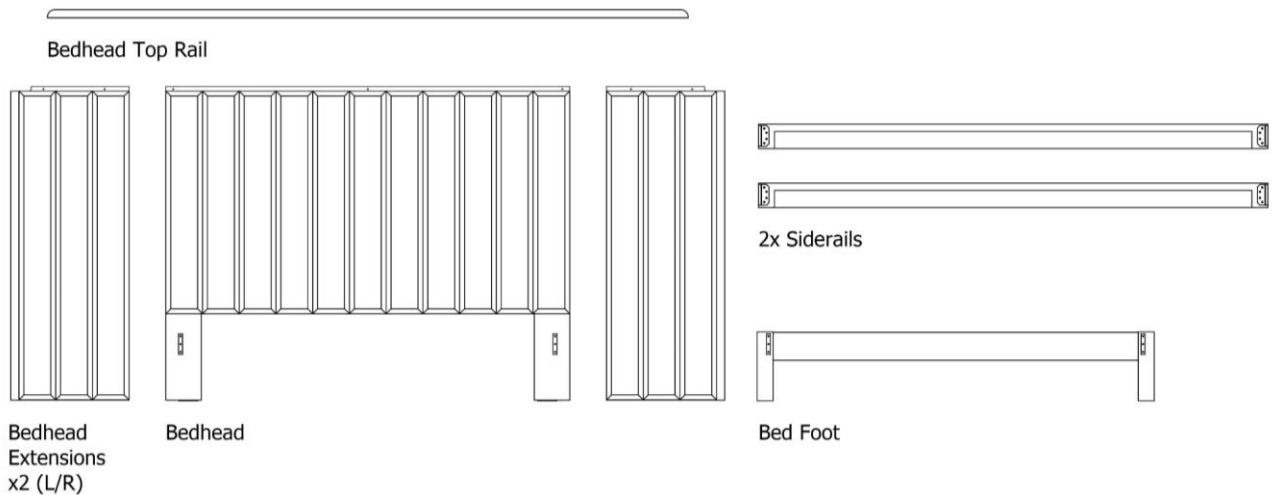
Hardware Pack: containing - **12x** (M6) 10mm button head bolts; **21x** 30mm phillips head screws; **1x** allen key

SP



Note: The hardware pack may contain more items than required. Please contact our sales team if you have any questions/concerns.

Bed Frame Parts:



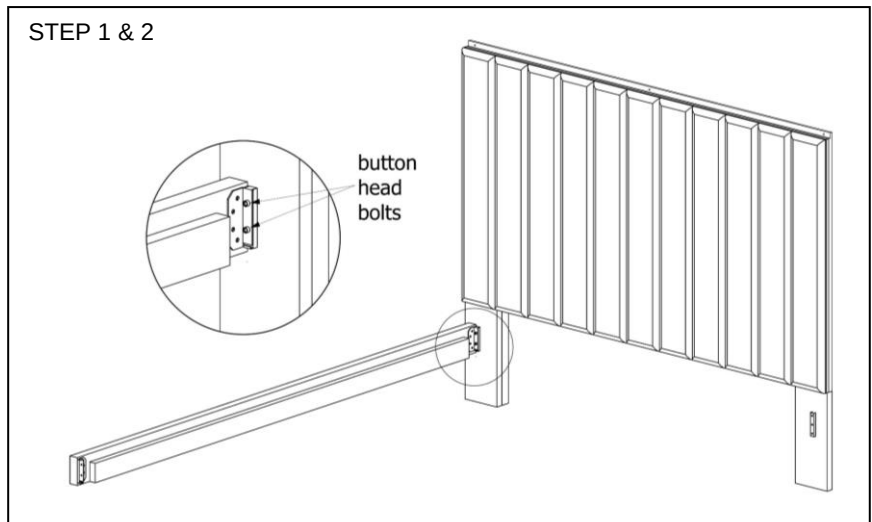
Slat System: See the attached document "Amendment to instructions for all SilverLynx beds".

Not Provided: Phillips head screwdriver

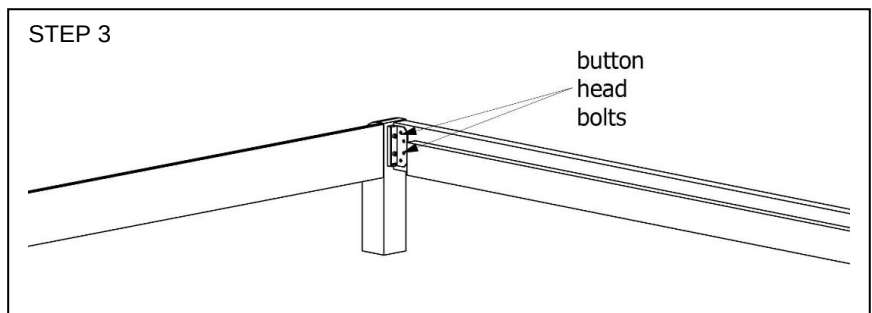
STEP 1 – Position Bedhead and Siderails approximately where your bed is to be set up (make sure there is just enough space to access the back of the Bedhead for Step 5 - *fixing Extensions to Bedhead*). Connect the Siderails to the Bedhead by hooking the Siderail brackets onto the Head brackets.

STEP 2 – Screw two button head bolts (M6) into the position shown to connect the Side Rails to the Bed Head and tighten (finger tight only).

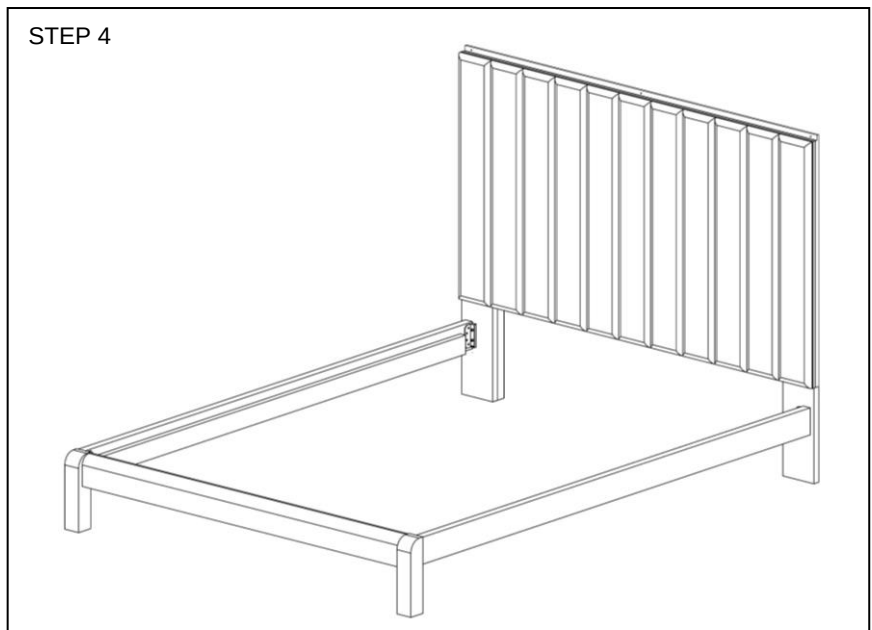
*Having trouble? See *Helpful Tips* at the end of this document.*



STEP 3 – Complete the above process on the other Side Rail, then repeat with the Foot Panel.
*Having trouble? See *Helpful Tips* at the end of this document.*

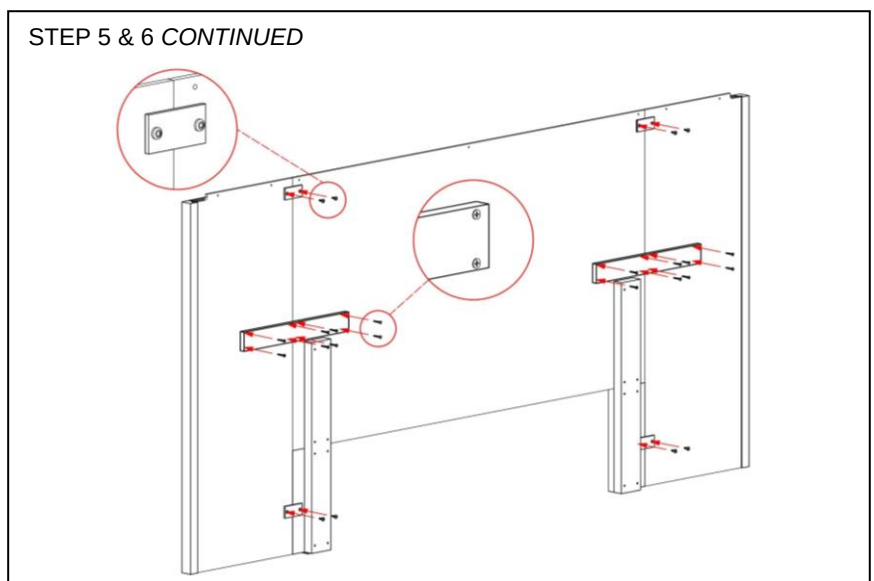
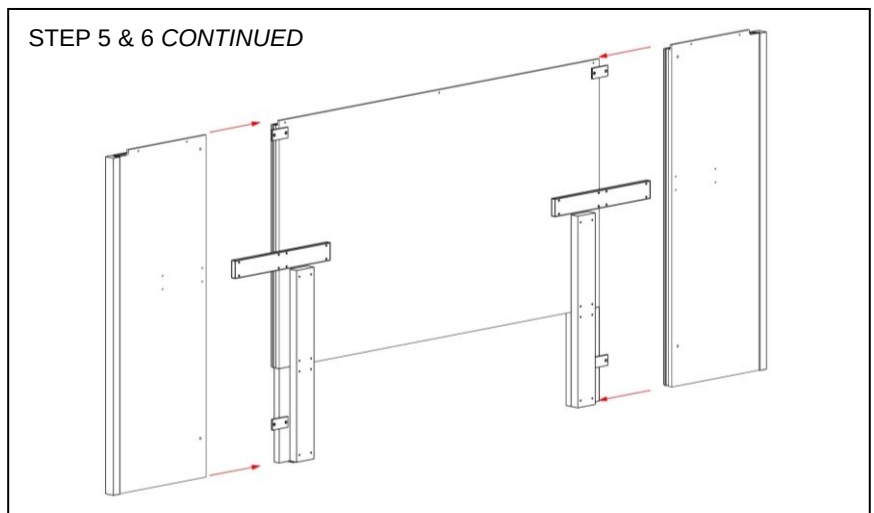
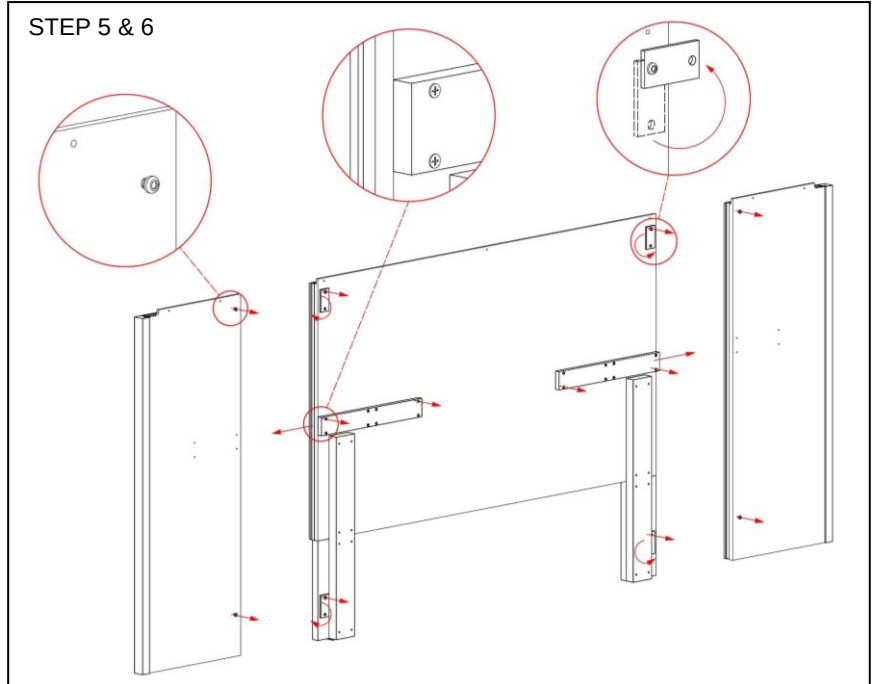


STEP 4 – Ensure that the bed is sitting square and then tighten all button head bolts using the allen key. Once snug, tighten only with ¼ turn of the Allen Key. **DO NOT USE** powered drills as over-tightening can cause foot end rail to bow. Your bed should now look like the following diagram.



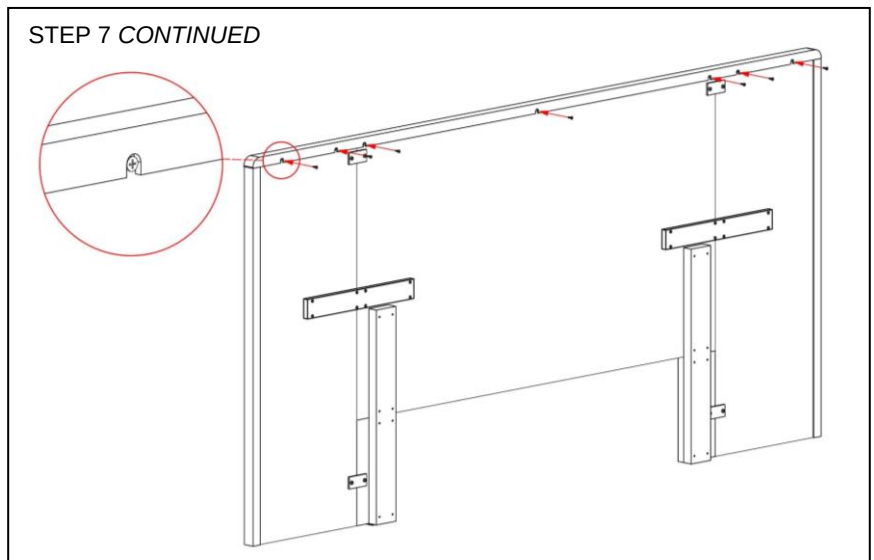
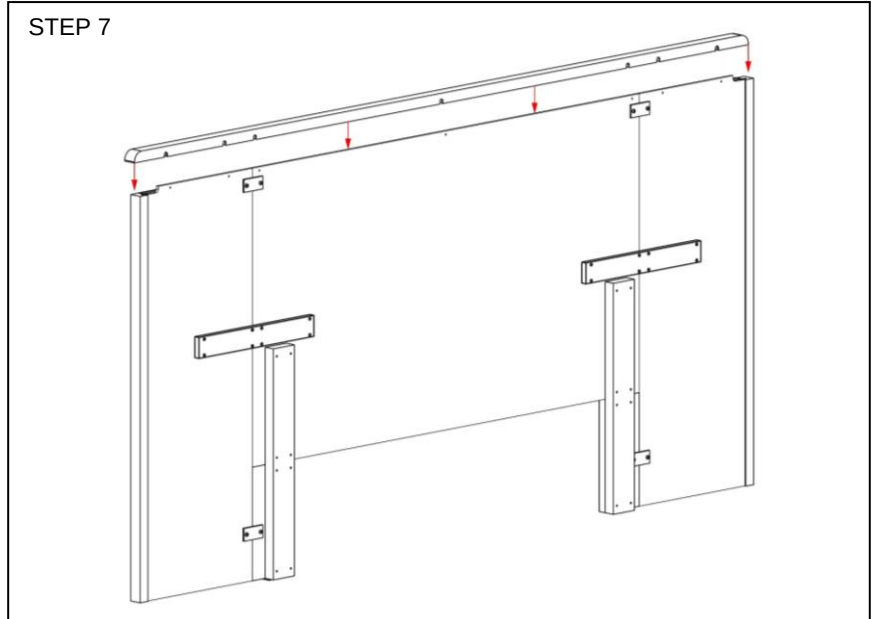
STEP 5 – Identify the left and right side extensions. Remove the two black (M8 16mm) bolts from the back of each Extension. On the back of the Bedhead loosen the four black (M8 16mm) bolts holding the aluminium fixing plates – just enough so the plates can be rotated. Turn the aluminium fixing plates 90 degrees so that the holes align with the holes on the Extension. Secure the plates on the Extension panel using the two black bolts removed at the start of this step, taking care not to overtighten. Make sure Extensions are sitting hard against Bedhead. *NOTE: if the floor is uneven you may need to use packers to level your Bedhead.*

STEP 6 – Remove the back fixing rail from the Bedhead by removing the screws. Position it so it overlaps the bed head and bedside/extension panel evenly, using pre-drilled holes to guide position. Secure rail to both Extensions and Bedhead using the screws removed during this step. & additional 30mm screws from your hardware pack (16 in total), taking care not to overtighten (you will need a Phillips head screwdriver).

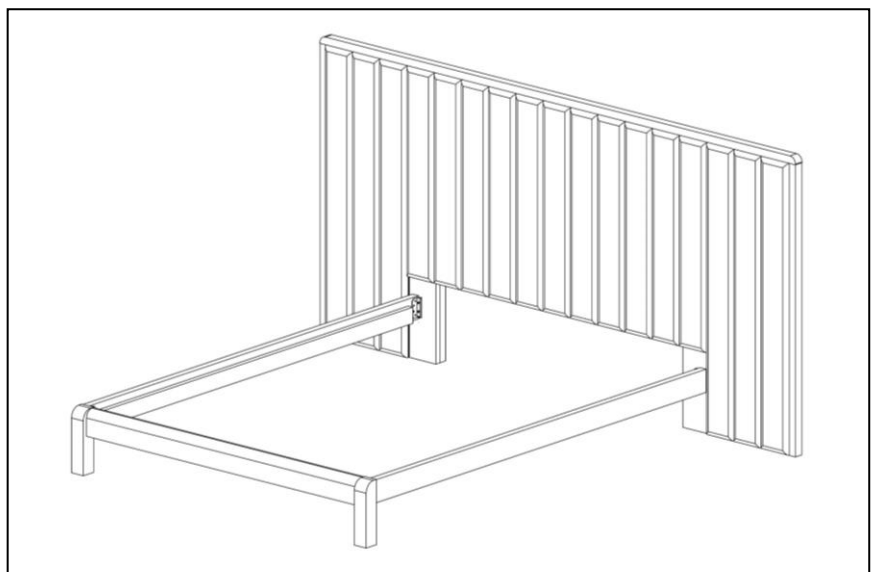


STEP 7 – Carefully place Top Rail into position by aligning the groove on the underside of the Top Rail with the tab running along the top of the Bedhead and Extensions. Centre the Top Rail on the panels, making sure the notches on the Top Rail line up with the holes along the tabbed section. Using 7 of the remaining 30mm screws provided, secure the Top Rail in place, taking care not to overtighten (*you will need a Phillips head screwdriver*).

NOTE: if the floor is uneven you may need to use packers to level your Bedhead.



STEP 8 – **WARNING: HEAVY LIFTING** – two or three people required. To move your bed to its final position, lift the bed slightly off the floor (lifting the Bedhead & supporting the foot – **DO NOT DRAG**). Check that the Bedhead & Extensions are aligned and use packers if the floor is uneven. Ensure Extension panels always stay in line with Bedhead during this step.



STEP 9 – To set up the slat and spine system, proceed to the instructions titles “Amendment to instructions for all SilverLynx beds”. Note the additional 2x 30mm screws provided in the hardware pack can be used in this section of the assembly.

****Helpful Tips****

STEP 2 & 3

The button head bolts that connect the Siderails to the Bed Head & Foot can sometimes be tricky to align. If you are having trouble, try supporting the bottom edge of the Siderail near the bracket and lift it up while you connect the bolts. This can help line up the holes in both brackets so that the bolt can connect easily.

GENERAL

Make sure not to tighten bolts before attaching all components and making sure they sit square. Once you are ready, make sure all bolts are snug, then tighten **only** with ¼ turn of the Allen Key. **DO NOT USE** powered drills as over-tightening can cause components to bow.

Never force bolts if you can feel resistance as this can cause the thread to strip. Try to adjust the hole alignment until your bolt can connect easily by hand.

NOTES

- Button head bolts should be regularly inspected and may need to be retightened periodically
- **Never drag or move assembled bed as this may damage the bed**

CARE & MAINTENANCE

Your SilverLynx product is crafted with care, properly maintained, it will mature over time developing a rich deep patina enhancing its appearance. To get the best performance from your SilverLynx product, please follow the simple care instructions listed below.

- Do not use silicone based polishes/cleaners at any time.
- Dust surfaces gently with a feather duster then wipe gently with a slightly damp cloth/chamois.
- Do not allow liquids, damp clothes to remain in contact with lacquered surface for extended periods.
- Never place furniture in close proximity to heating outlets.
- Exposure to direct sunlight will cause colour fading to fabrics, leathers and timber finishes.
- Do not allow solvents, abrasives or heated objects to come in contact with the product.
- Do not use cordless drivers or power drills to tighten any bolts, as over-tightening can cause components to bow, and can cause damage to the bolts.

Contact your retailer or our sales office for further information

