

Thank you for purchasing a SilverLynx product

As one of Australia's leading bedroom furniture manufacturers, we have long established partnerships with Australia's most successful retailers.

Customers who buy our products recognise our commitment to quality and customer satisfaction.

SilverLynx is a **values**-based business. Our commitment to quality, evolving design leadership, customer service and exceeding customer expectations - is unsurpassed in the industry.

Enjoy your SilverLynx product.

SILVER LYNX



BY DESIGN UNDERBED DRAWER *to suit Drawer Foot and East-West Drawer Bases* Assembly Instructions

Please retain these instructions for future reference

Please read through these assembly instructions carefully to ensure that you can assemble your new purchase without stress. These detailed instructions will guide you on how to prepare and assemble your bedroom suite.

DIFFICULTY

NOVICE One person, no additional equipment	MODERATE Two people, no additional equipment	MODERATE* Two people, additional equipment required	EXPERT Qualified tradesperson recommended
--	--	---	---



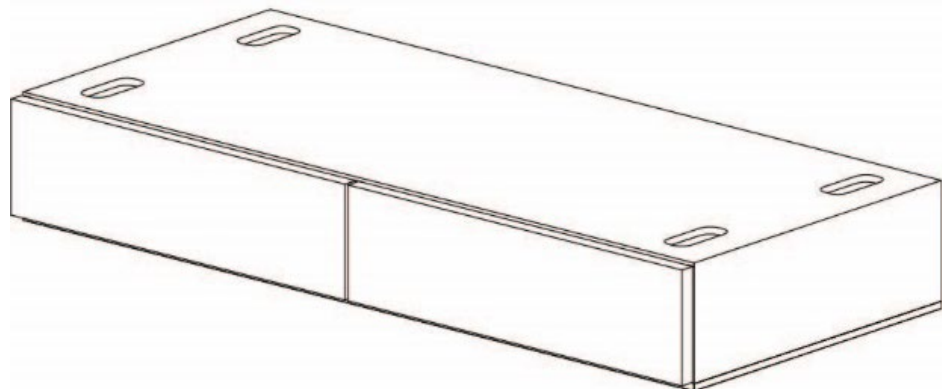
WE ADVISE YOU DO NOT USE POWERED DRILLS TO ASSEMBLE ANY BOLTS ON THIS BED

EQUIPMENT PROVIDED

Hardware Pack: containing - 2x fixing brackets; 2x 16mm screws

Underbed Drawer:

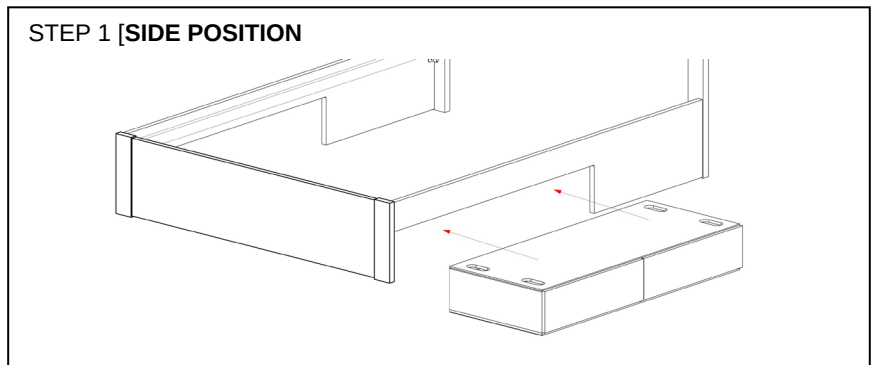
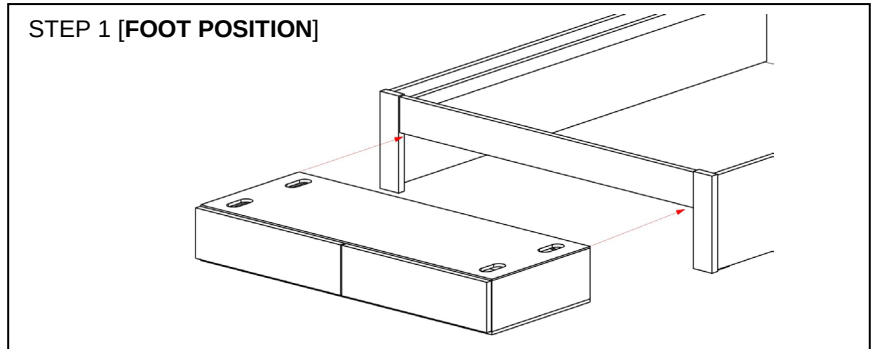
Super King / King / Queen / Double: 2 Drawers
King Single / Single: 1 Drawer



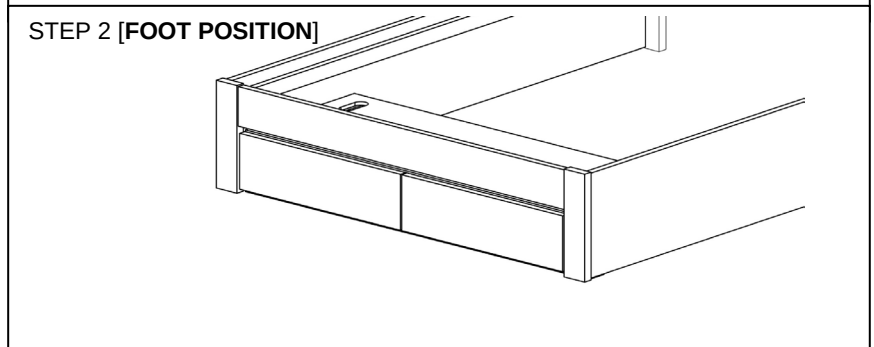
NOTE: Your underbed drawer may look different to the above diagram, however the following instructions will still apply

Not Provided: Phillips head screwdriver

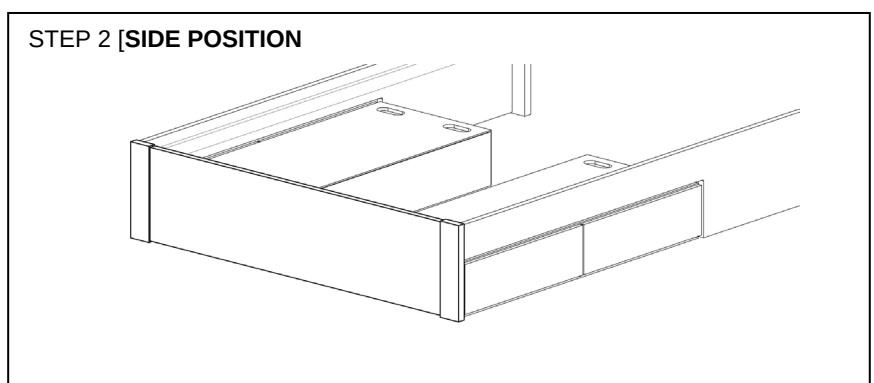
STEP 1 – Depending on the range, your underbed drawer may be suitable for use at either the foot end, or the side of your bed. Determine the position you would like to install your Underbed Drawer Unit (where suitable). Place your Underbed Drawer Unit in front of your assembled Bed in your chosen position (shown below).



STEP 2 – Carefully slide the Underbed Drawer Unit into its final position under the bed, checking that spacing is even (if installing at the foot) and that drawers are able to open and close smoothly. If using as side storage, we recommend you position your drawer near the foot end to ensure drawers are clear of your bedside table.

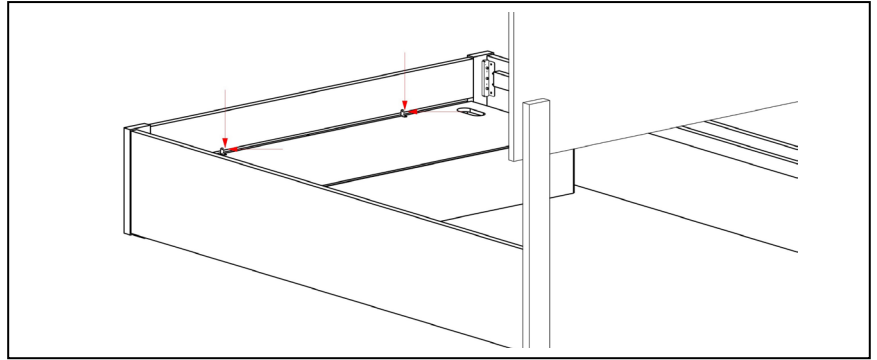


STEP 3 – Complete the above process on the other Side Rail, then repeat with the Foot Panel.
*Having trouble? See *Helpful Tips* at the end of this document.*



STEP 3 – You have been supplied with provisions (fixing brackets and screws) to fix the Underbed Drawer Unit to your bed frame if you choose to do so. Position the bracket on top of the drawer box so that it connects to your bed frame and fix in place with the screws provided. Your Underbed Drawer is now ready to use.

foot end to ensure drawers are clear of your bedside table.



NOTES

- Button head bolts should be regularly inspected and may need to be retightened periodically
- **Never drag or move assembled bed as this may damage the bed**

CARE & MAINTENANCE

Your SilverLynx product is crafted with care, properly maintained, it will mature over time developing a rich deep patina enhancing its appearance. To get the best performance from your SilverLynx product, please follow the simple care instructions listed below.

- Do not use silicone based polishes/cleaners at any time.
- Dust surfaces gently with a feather duster then wipe gently with a slightly damp cloth/chamois.
- Do not allow liquids, damp clothes to remain in contact with lacquered surface for extended periods.
- Never place furniture in close proximity to heating outlets.
- Exposure to direct sunlight will cause colour fading to fabrics, leathers and timber finishes.
- Do not allow solvents, abrasives or heated objects to come in contact with the product.
- Do not use cordless drivers or power drills to tighten any bolts, as over-tightening can cause components to bow, and can cause damage to the bolts.

Contact your retailer or our sales office for further information