

Thank you for purchasing a SilverLynx product

As one of Australia's leading bedroom furniture manufacturers, we have long established partnerships with Australia's most successful retailers.

Customers who buy our products recognise our commitment to quality and customer satisfaction.

SilverLynx is a **values**-based business. Our commitment to quality, evolving design leadership, customer service and exceeding customer expectations - is unsurpassed in the industry.

Enjoy your SilverLynx product.

BY DESIGN FLOATING PLATFORM DIVAN



Assembly Instructions

Please retain these instructions for future reference

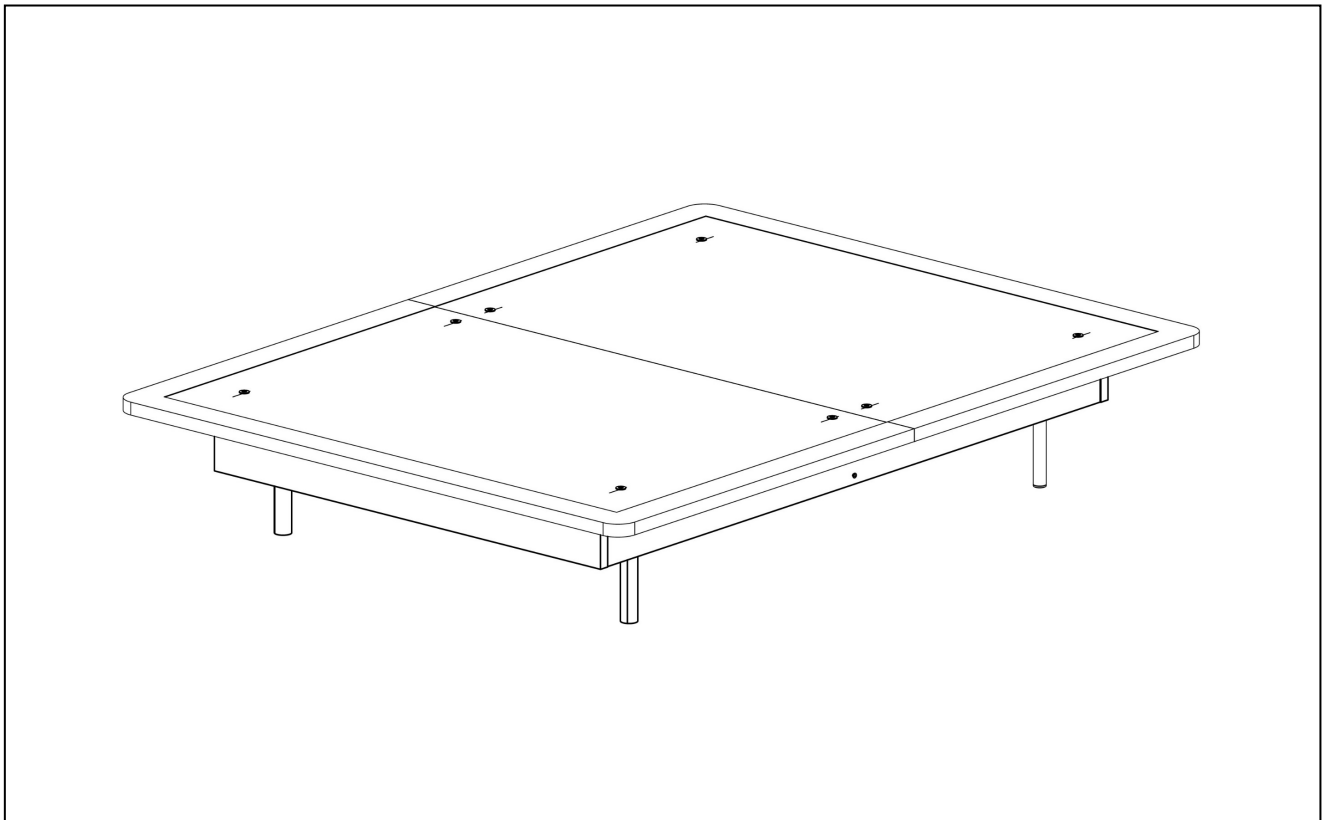
Please read through these assembly instructions carefully to ensure that you can assemble your new purchase without stress. These detailed instructions will guide you on how to prepare and assemble your bedroom suite.

DIFFICULTY

NOVICE One person, no additional equipment	MODERATE Two people, no additional equipment	MODERATE* Two people, additional equipment required	EXPERT Qualified tradesperson recommended
--	--	---	---



WE ADVISE YOU DO NOT USE POWERED DRILLS TO ASSEMBLE ANY BOLTS ON THIS BED

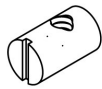


EQUIPMENT PROVIDED

Hardware Pack: containing - **12x** (M6) 10mm button head bolts; **12x** Cross Dowels; **8x** Washer; **12x** 60mm (M8) connector bolts; **1x** allen key



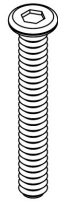
x12



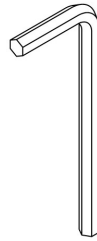
x12



x8



x12



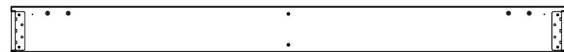
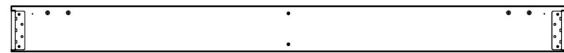
x1

Note: The hardware pack may contain more items than required. Please contact our sales team if you have any questions/concerns.

Bed Frame Parts:



2x Slat Panels



2x Siderails



2x Bed Foot



1x Center Rail

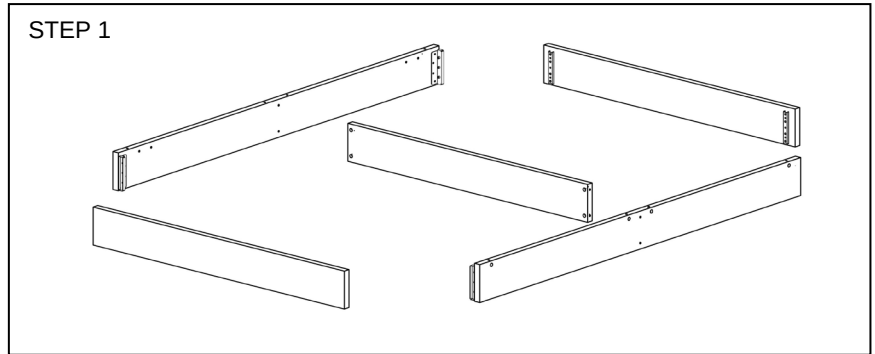


2x Platform Bar

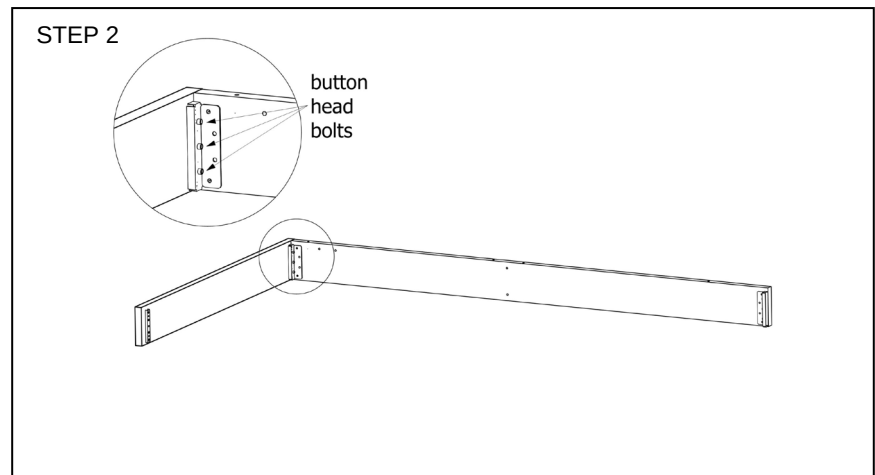
**Please note your Bedhead & Foot may look different to the above, however the following instructions will still apply*

Not Provided: Flat head screwdriver

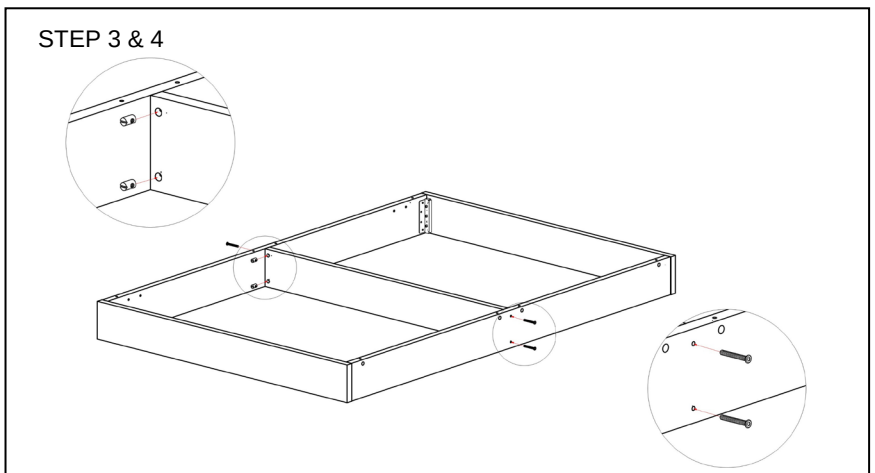
STEP 1 – Position components approximately where your bed is to be set up. Connect the Siderails to the Foot Rail by hooking the Siderail brackets onto the Head brackets.



STEP 2 – Screw three button head bolts (M6) into the position shown to connect the Side Rails to the Foot Rail and tighten (finger tight only). Do this for both Siderails and both Foot Rails.
*Having trouble? See *Helpful Tips* at the end of this document.*

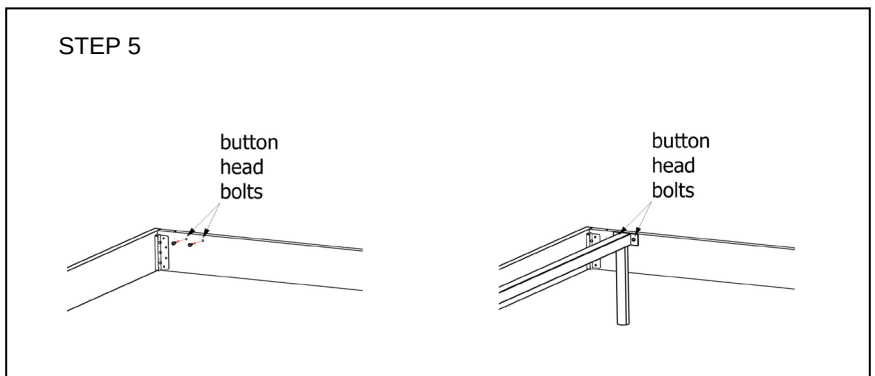


STEP 3 – Insert four cross dowels into the Centre Bar, turning each to align threaded centre with the hole for the bolts as shown.



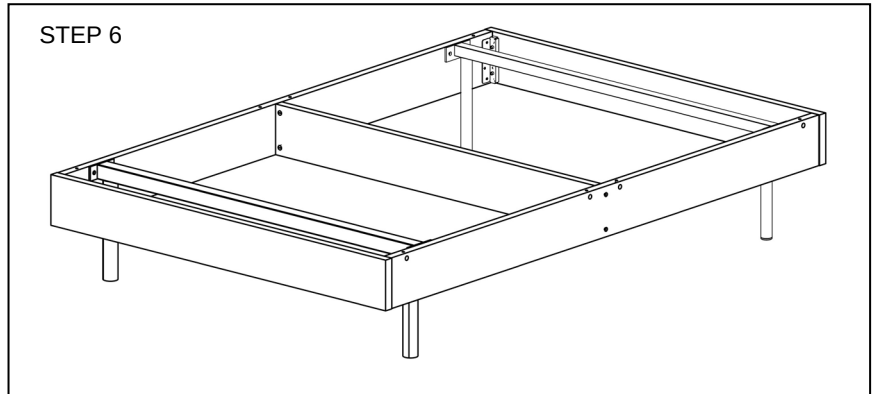
STEP 4 – Screw two 60mm (M8) Connector Bolts through the siderail into the centre bar (finger tight only). Complete for both siderails.

STEP 5 – Remove the four button head bolts for the Floating Bars from each end of each side rail. Gently lift the Siderails and position the Platform Bar, lining up the holes on each end of the Platform Bar with the holes on the Siderails. Using the bolts you removed from the Siderails, secure (finger tight) the Platform Bar in place.

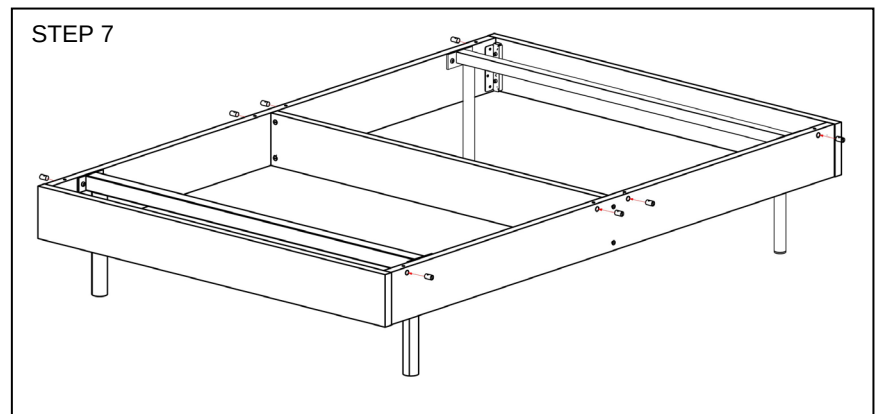


NOTE: Make sure top of Platform Bar lines up with top of Siderail

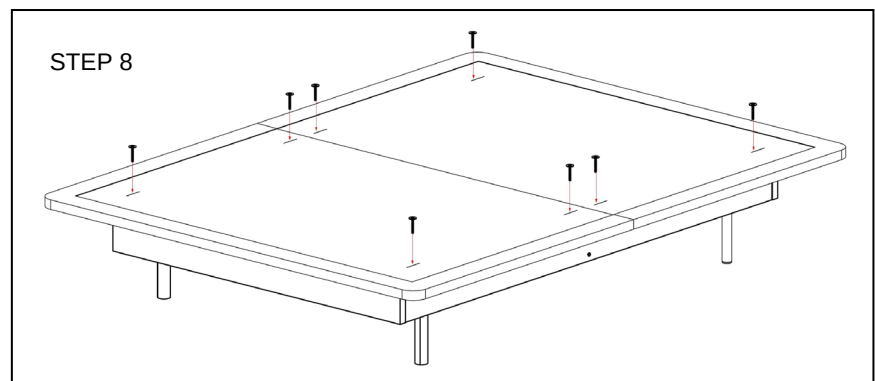
STEP 6 – Ensure that the bed is sitting square and then tighten all button head bolts and connector bolts using the allen key. Once snug, tighten only with ¼ turn of the Allen Key. DO NOT USE powered drills as over-tightening can cause foot end rail to bow. Your bed should now look like the following diagram.



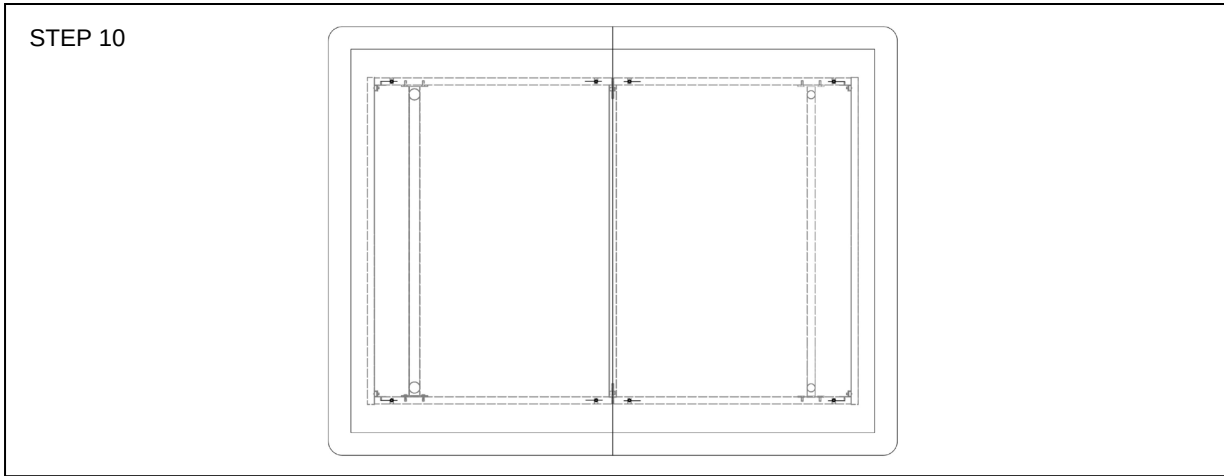
STEP 7 – Insert four cross dowels into each Siderail, turning each to align threaded centre with the hole for the bolts as shown.



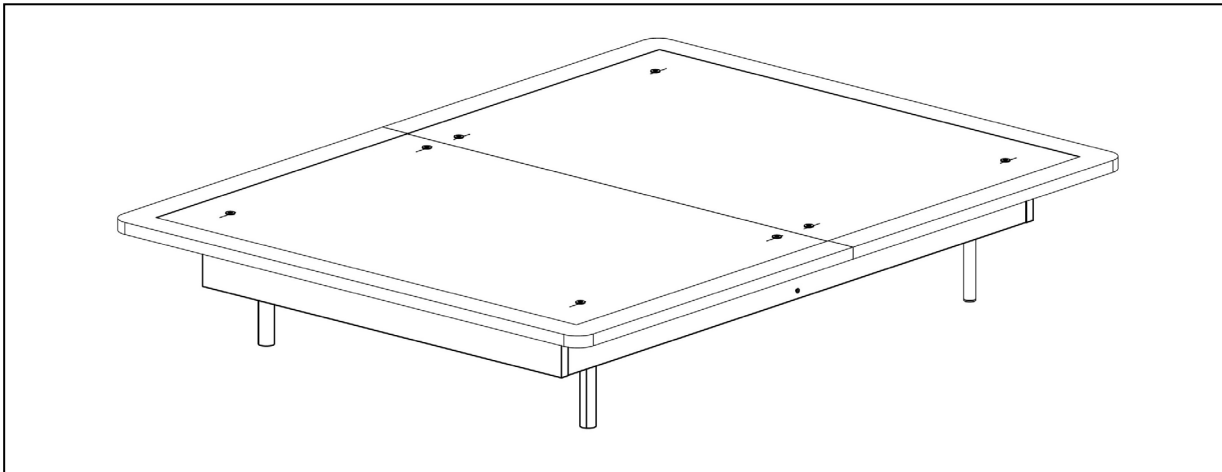
STEP 8 – Carefully Place Slat Panels in place on top of the frame. Line up slots with holes in Siderails and place washer and connector bolts into groove. Only screw in the bolts halfway at this stage. Do this for both panels.



STEP 9 – Line up panels so that the join sits on top of the Centre Rail. Then tighten all the remaining Connector Bolts.



Your Bed should now look like the diagram below



Helpful Tips

STEP 2 & 6

The button head bolts that connect the Siderails to the Bed Head & Foot can sometimes be tricky to align. If you are having trouble, try supporting the bottom edge of the Siderail near the bracket and lift it up while you connect the bolts. This can help line up the holes in both brackets so that the bolt can connect easily.

GENERAL

Make sure not to tighten bolts before attaching all components and making sure they sit square. Once you are ready, make sure all bolts are snug, then tighten **only** with ¼ turn of the Allen Key. **DO NOT USE** powered drills as over-tightening can cause components to bow.

Never force bolts if you can feel resistance as this can cause the thread to strip. Try to adjust the hole alignment until your bolt can connect easily by hand.

NOTES

- Button head bolts should be regularly inspected and may need to be retightened periodically
- **Never drag or move assembled bed as this may damage the bed**

CARE & MAINTENANCE

Your SilverLynx product is crafted with care, properly maintained, it will mature over time developing a rich deep patina enhancing its appearance. To get the best performance from your SilverLynx product, please follow the simple care instructions listed below.

- Do not use silicone based polishes/cleaners at any time.
- Dust surfaces gently with a feather duster then wipe gently with a slightly damp cloth/chamois.
- Do not allow liquids, damp clothes to remain in contact with lacquered surface for extended periods.
- Never place furniture in close proximity to heating outlets.
- Exposure to direct sunlight will cause colour fading to fabrics, leathers and timber finishes.
- Do not allow solvents, abrasives or heated objects to come in contact with the product.
- Do not use cordless drivers or power drills to tighten any bolts, as over-tightening can cause components to bow, and can cause damage to the bolts.

Contact your retailer or our sales office for further information

