

## Thank you for purchasing a Silverlynx product

As one of Australia's leading bedroom furniture manufacturers, we have long established partnerships with Australia's most successful retailers.

Customers who buy our products recognise our commitment to quality and customer satisfaction.

Silverlynx is a value's based business. Our commitment to quality, evolving design leadership, customer service and exceeding customer expectations - is unsurpassed in the industry.

Enjoy your Silverlynx product.

## BY DESIGN COMBO BASE BED

### Assembly Instructions

Please retain these instructions for future reference



Please read through these assembly instructions carefully to ensure that you can assemble your new purchase without stress. These detailed instructions will guide you on how to prepare and assemble your bedroom suite.

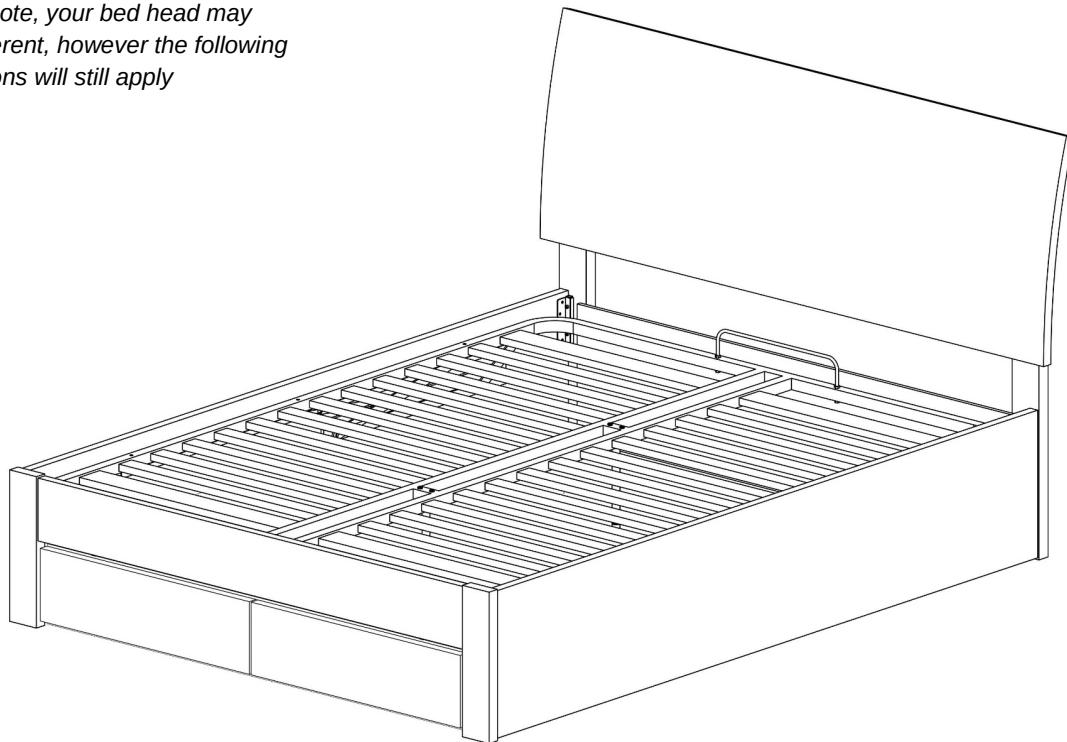
#### DIFFICULTY

<b>NOVICE</b> One person, no additional equipment	<b>MODERATE</b> Two people, no additional equipment	<b>MODERATE*</b> Two people, additional equipment required	<b>EXPERT</b> Qualified tradesperson recommended
--	--	---	---



**WE ADVISE YOU DO NOT USE POWERED DRILLS TO ASSEMBLE ANY BOLTS ON THIS BED**

*Please note, your bed head may look different, however the following instructions will still apply*



**Pictured:** By Design Curved Bedhead with Combo Base



**EQUIPMENT PROVIDED**

**Hardware Pack - attached to Siderails:** containing - 12x (M6) 10mm button head bolts; 4x 15mm phillips head screws; 6x 45mm mushroom head bolts; 6x nuts; 1x allen key

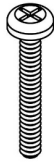
**G**



x12



x4



x6



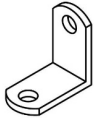
x6



x1

**Note:** there is additional hardware pre-fitted to your bed components. These instructions will guide you on how to use them to assemble your bed

**Hardware Pack – Underbed Drawer:** containing - 2x fixing brackets; 4x 15mm phillips head screws

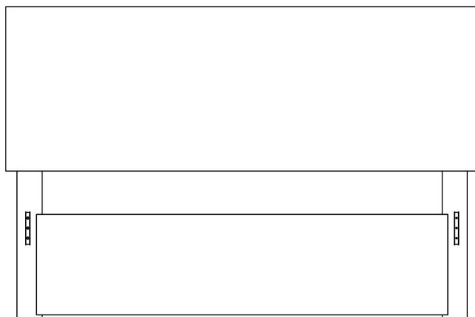


x2

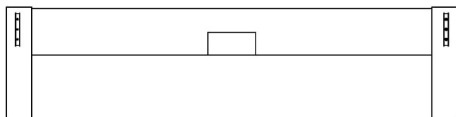


x4

**Bed Frame Parts:**



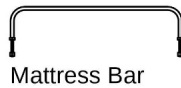
Bedhead\*\*



Bed Foot (with GAS LIFT Block)



Underbed Drawer



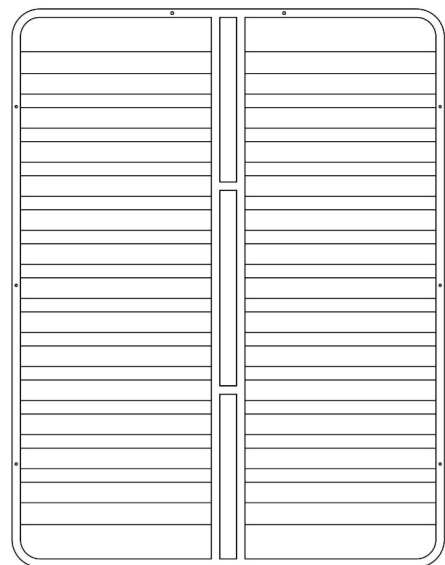
Mattress Bar



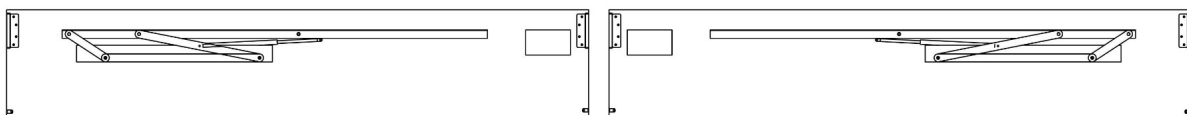
Fabric Strap



2x Support Legs\*  
(inc. bolts & nuts)  
KING & QUEEN  
only



Gas Lift Slats



2x Siderails (with attached Gas Lift Struts)

\*KING & QUEEN ONLY. Double, King Single, and Single Gas Lift Bases do not have support legs

\*\*Please note, your bed head may look different, however the following instructions will still apply

**Not Provided:** Phillips head screwdriver, Flat head screwdriver

**STEP 1** – Position Bed Head, Foot, and Side Rails approximately where your bed is to be set up. *NOTE* the Gas Lift Struts (which are pre-attached to your Side Rails) are set up closer to the head end as shown. Connect the Side Rails to the Bed Head by hooking the Side Rail brackets onto the Head brackets.

**STEP 2** – Screw three button head bolts (M6) into the position shown to connect the Side Rails to the Bed Head and tighten (finger tight only).

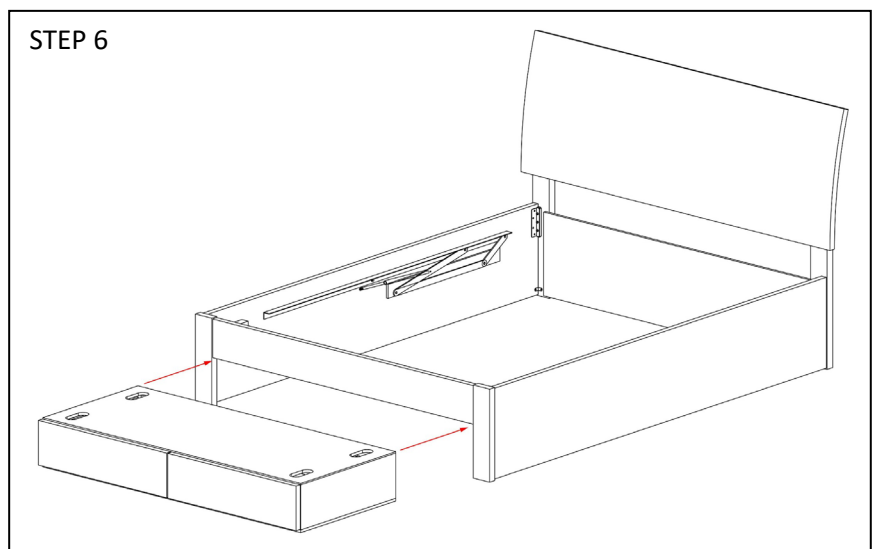
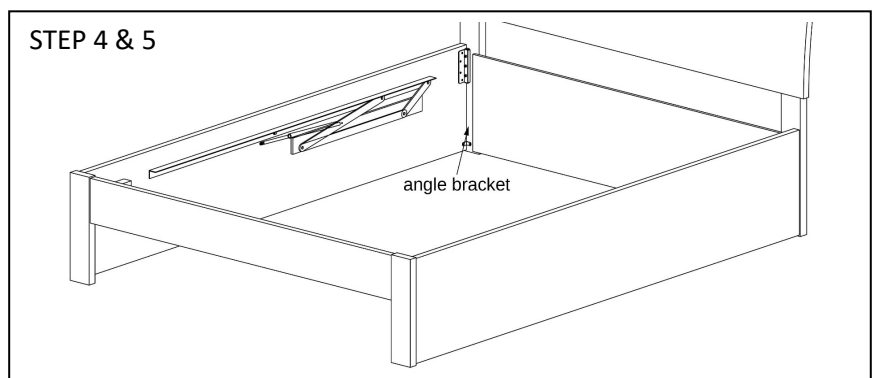
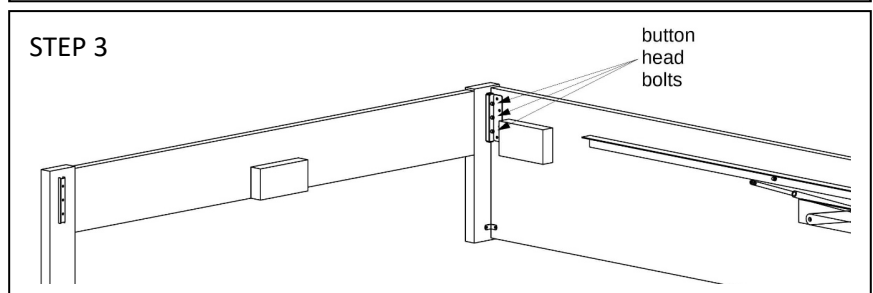
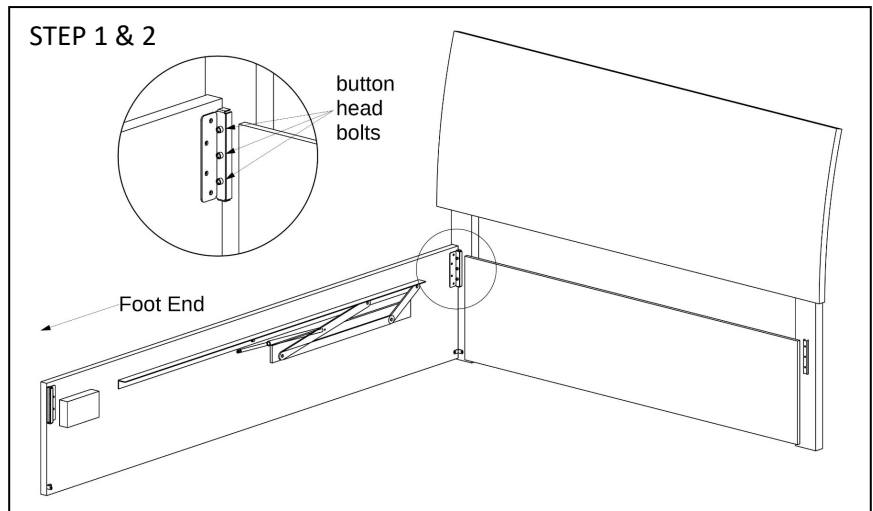
*Having trouble? See \*Helpful Tips\* at the end of this document.*

**STEP 3** – Complete the above process on the other Side Rail, then repeat with the Foot Panel.

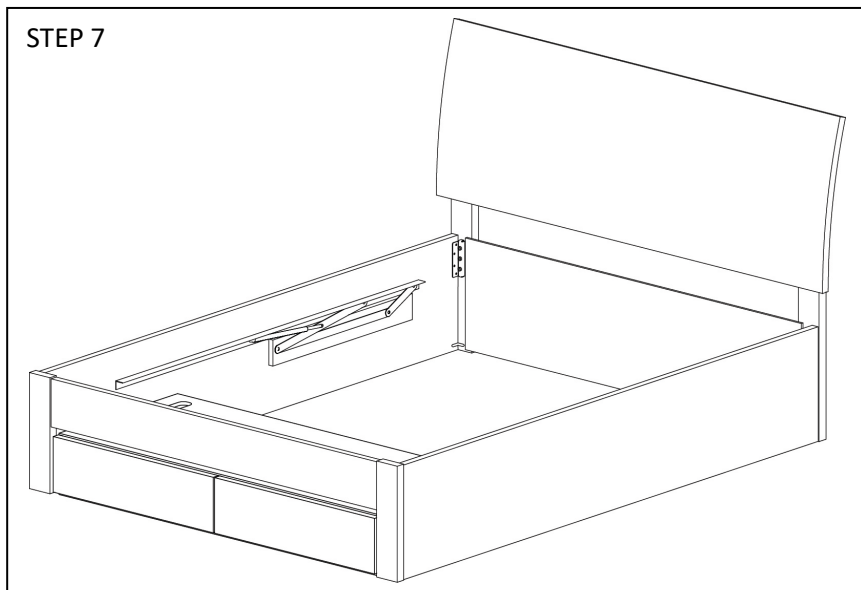
**STEP 4** – Optional angle brackets located near the bottom of each end of your side rails can be fixed to keep the side rails parallel with the bedhead and foot. Use the 15mm screws provided to screw through the angle bracket.

**STEP 5** – Ensure the bed is square and then tighten the button head bolts using the allen key provided. Your bed should now look like the following diagram. Once snug, tighten only with  $\frac{1}{4}$  turn of the Allen Key. **DO NOT USE** cordless drivers or power drills as over-tightening can cause the head and foot end to bow.

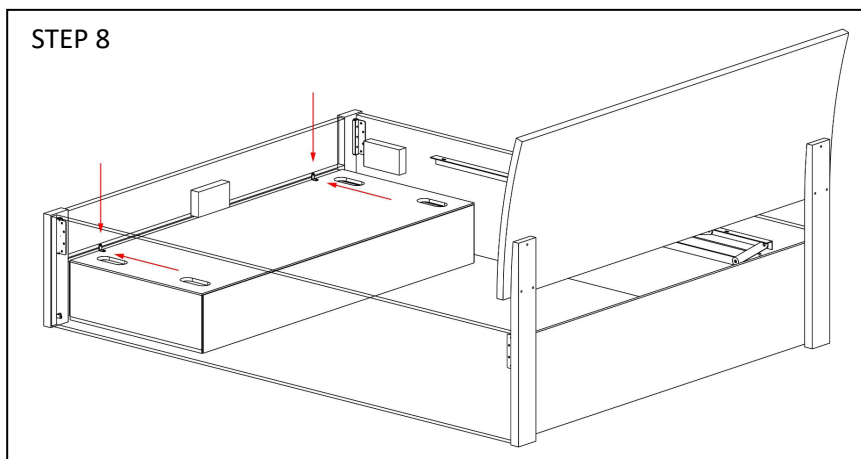
**STEP 6** – *Setting up the Drawer*  
We recommend setting up your drawer before you install your Gas Lift slats. Place your Underbed Drawer Unit in front of your assembled Bed as shown.



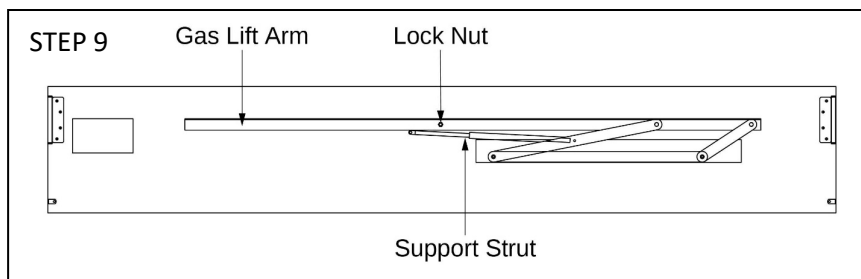
**STEP 7** – Carefully slide the Underbed Drawer Unit into its final position under the bed, checking that spacing is even and that drawers can open and close smoothly.



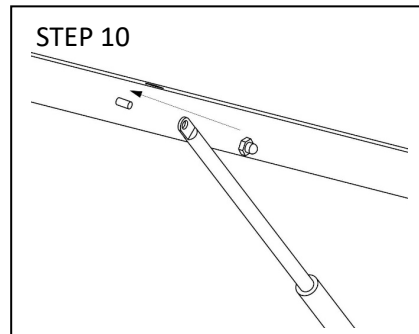
**STEP 8** – You have been supplied with provisions (fixing brackets and screws) to fix the Underbed Drawer Unit to your bed frame. Position the bracket on top of the drawer box so that it connects to your bed frame and fix in place with the screws provided. Your Underbed Drawer is now ready to use.



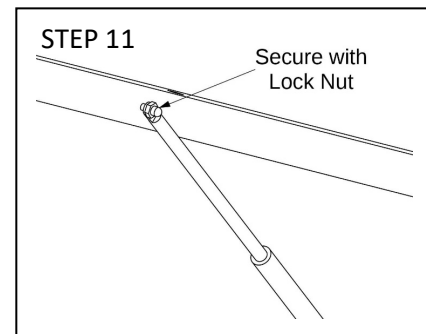
**STEP 9** – *Setting up the Gas Lift Struts & Posture Slat Frame*  
The Gas Lift Strut has been pre-fixed to your side rails. To connect them to the posture slats, first remove the lock nut (shown below).



**STEP 10** – Lift up the Gas Lift Arm and line up the bolt with the hole in the Support Strut.

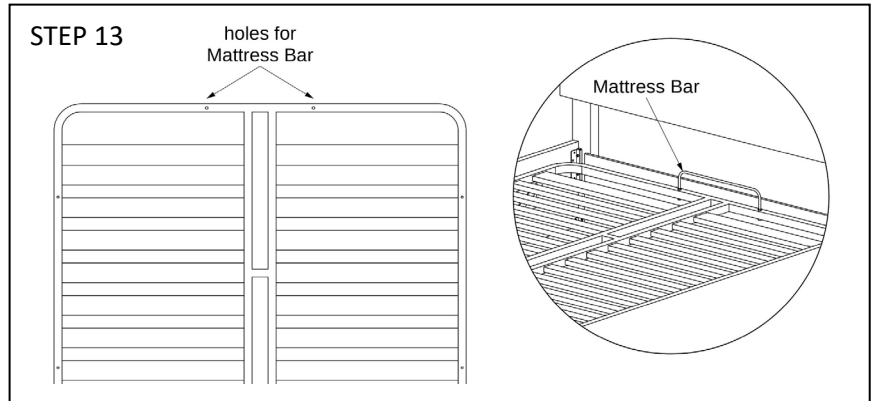


**STEP 11** – Place the Support Strut over the bolt and secure using the lock nut.



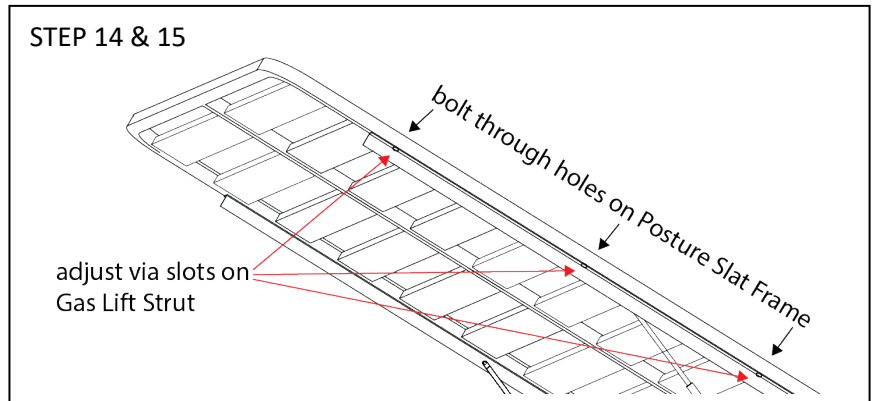
**STEP 12** – Repeat Steps 9-11 on the other Side Rail.

**STEP 13** – There are two holes at the head end of your Slat Frame where the Mattress Bar will be fixed. Remove the nuts that are pre-fitted pre-fit to your Mattress Bar and secure onto the Slat Frame as shown. This will ensure that your mattress will not slide into the bed head when accessing the gas lift storage.

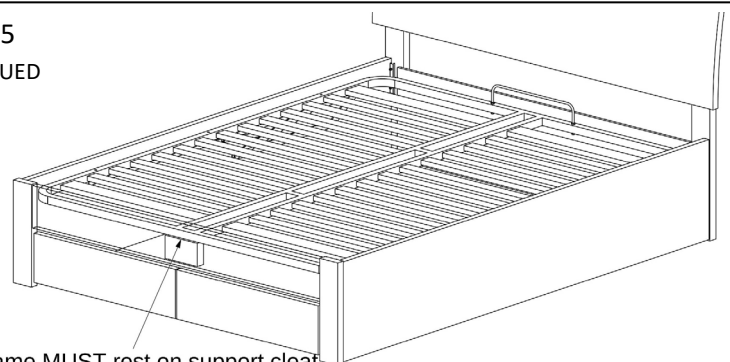


**STEP 14** – Place the Slat Frame in position on top of the Gas Lift Struts so that the holes on the Gas Lift Struts line up with the locator holes along the sides of the Slat Frame.

**STEP 15** – Use the 6x 45mm mushroom head bolts & 6x nuts provided to secure the Slat Frame onto the Struts. The slots on the Gas Lift Struts allow you to adjust the Slat Frame forward or backwards as needed. Use this adjustment so that **once the slats are 'closed', they rest on the cleat on the Foot End rail – see diagram next page.** (Note, without a mattress placed on top of the Slat Frame, your Gas Lift bed will stay in an 'open' position).

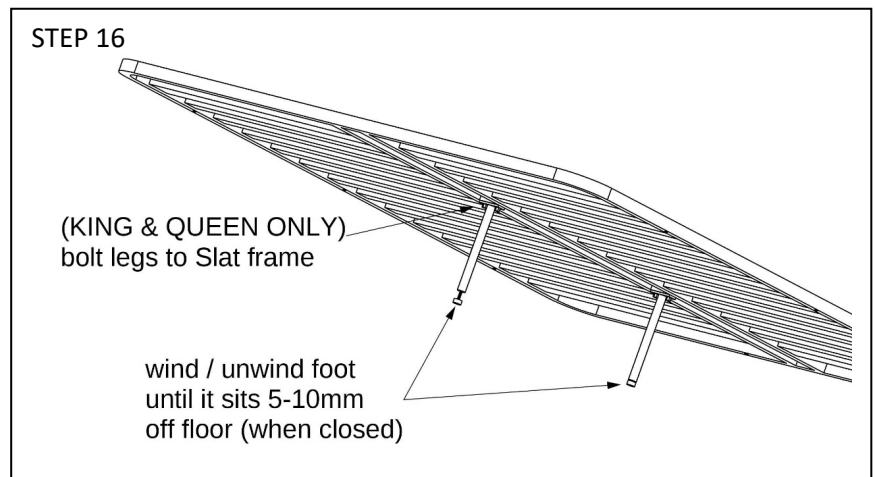


**STEP 15**  
CONTINUED



Slat frame **MUST** rest on support cleat when closed. Adjust using slots on Gas Lift Struts (as above)

**STEP 16** – (For King & Queen Beds) Fit Support Legs as shown below by fixing to the centre rail of the Slat Frame in the locations shown. Remove the bolts & nuts that are pre-fit to your Support Legs and secure the Leg to the Slat Frame, ensuring the nut is installed on the underside of the Slat Frame and Leg. Note, this step is only necessary if you have either a King or Queen Bed. *Double, King Single, and Single sizes beds do not require a Support Leg.*

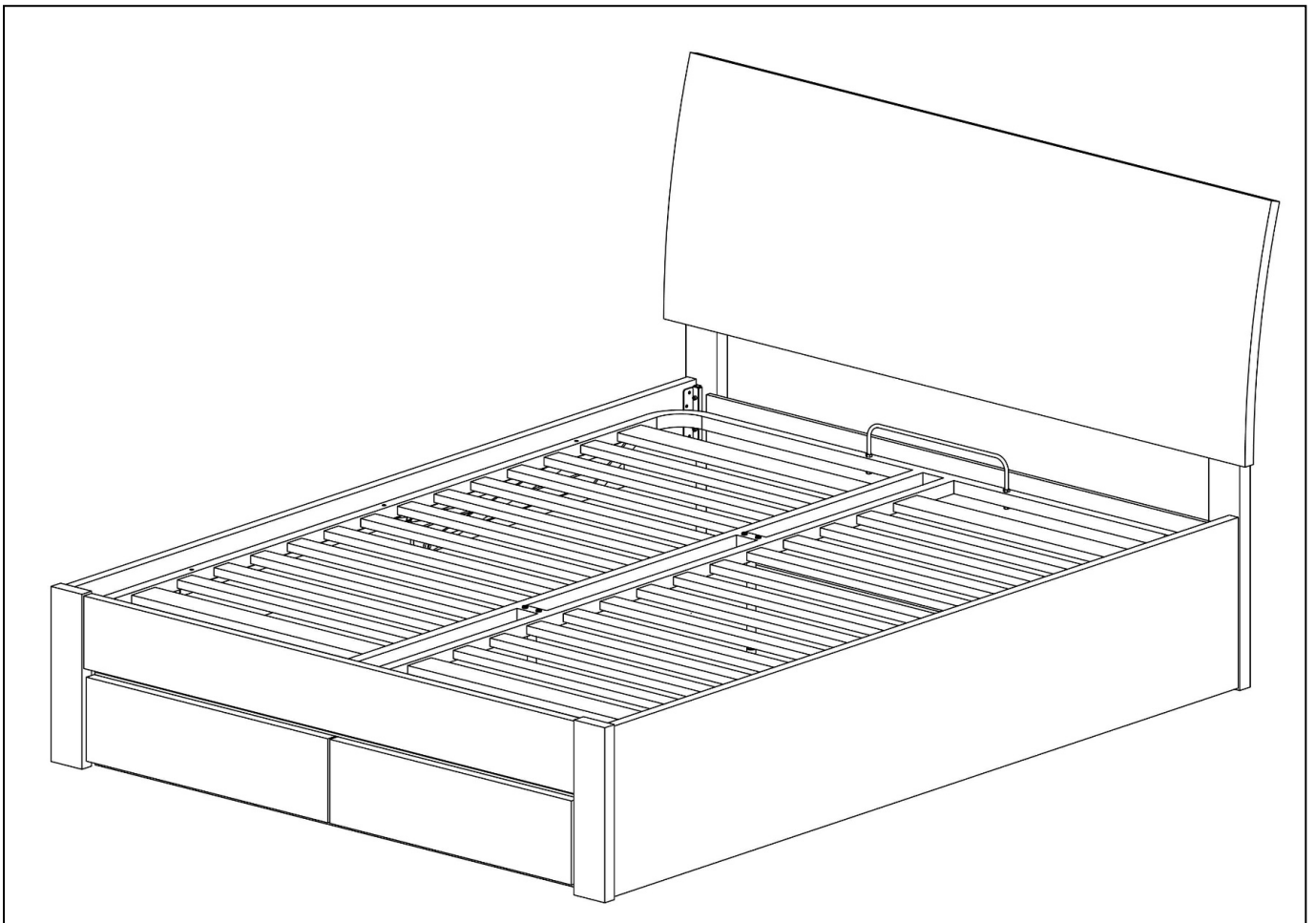
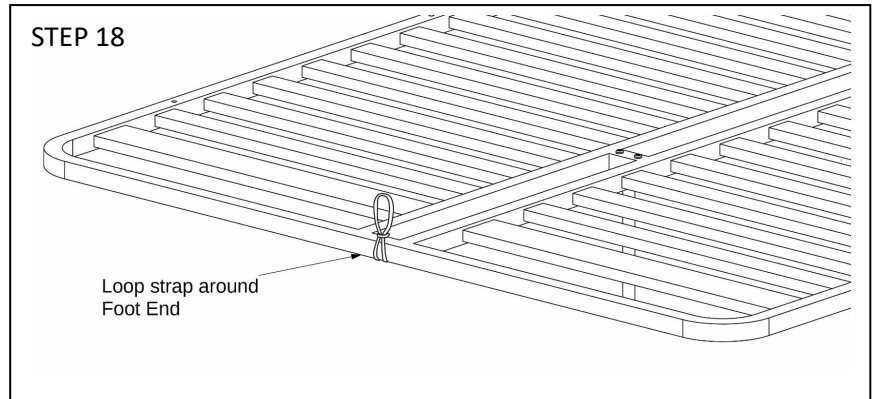


**STEP 17** – Fine tune the Support Leg/s by unscrewing the foot so that it sits roughly **5 – 10mm above the floor.**



**STEP 18** – Loop the Fabric Strap Handle around the foot end of the Posture Slat Frame as shown below. This can now be used as a handle to lift your bed for access to the storage space below

**STEP** – 'Close' the Slat Frame and place your mattress on top (you may need to lift your mattress onto the 'open' slats to have enough weight to 'close' the slats). Your Gas Lift Bed is now ready to enjoy



### *\*Helpful Tips\**

#### **STEP 2 & 3**

The button head bolts that connect the Siderails to the Bed Head & Foot can sometimes be tricky to align. If you are having trouble, try supporting the bottom edge of the Siderail near the bracket and lift it up while you connect the bolts. This can help line up the holes in both brackets so that the bolt can connect easily.

#### **GENERAL**

Make sure not to tighten bolts before attaching all components and making sure they sit square. Once you are ready, make sure all bolts are snug, then tighten **only** with ¼ turn of the Allen Key. **DO NOT USE** powered drills as over-tightening can cause components to bow.

#### **NOTES**

- Button head bolts should be regularly inspected and may need to be retightened periodically
- **Never drag or move assembled bed as this may damage the bed**

#### **CARE & MAINTENANCE**

Your SilverLynx product is crafted with care, properly maintained, it will mature over time developing a rich deep patina enhancing its appearance. To get the best performance from your SilverLynx product, please follow the simple care instructions listed below.

- Do not use silicone based polishes/cleaners at any time.
- Dust surfaces gently with a feather duster then wipe gently with a slightly damp cloth/chamois.
- Do not allow liquids, damp clothes to remain in contact with lacquered surface for extended periods.
- Never place furniture in close proximity to heating outlets.
- Exposure to direct sunlight will cause colour fading to fabrics, leathers and timber finishes.
- Do not allow solvents, abrasives or heated objects to come in contact with the product.
- Do not use cordless drivers or power drills to tighten any bolts, as over-tightening can cause components to bow, and can cause damage to the bolts.

Contact your retailer or our sales office for further information

