

Thank you for purchasing a SilverLynx product

As one of Australia's leading bedroom furniture manufacturers, we have long established partnerships with Australia's most successful retailers.

Customers who buy our products recognise our commitment to quality and customer satisfaction.

SilverLynx is a **values**-based business. Our commitment to quality, evolving design leadership, customer service and exceeding customer expectations - is unsurpassed in the industry.

Enjoy your SilverLynx product.

SILVER LYNX



LINCOLN BED

Assembly Instructions

Please retain these instructions for future reference

Please read through these assembly instructions carefully to ensure that you can assemble your new purchase without stress. These detailed instructions will guide you on how to prepare and assemble your bedroom suite.

DIFFICULTY

| | | | |
|--|--|---|---|
| NOVICE One person, no additional equipment | MODERATE Two people, no additional equipment | MODERATE* Two people, additional equipment required | EXPERT Qualified tradesperson recommended |
|--|--|---|---|



WE ADVISE YOU **DO NOT** USE POWERED DRILLS TO ASSEMBLE **ANY BOLTS** ON THIS BED

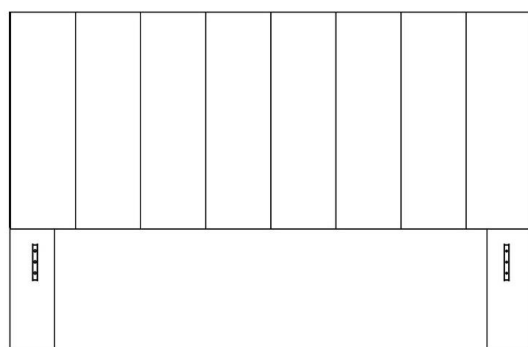
EQUIPMENT PROVIDED

Hardware Pack: containing - 12x (M6) 10mm button head bolts; 2x 38mm screws; 1x allen key

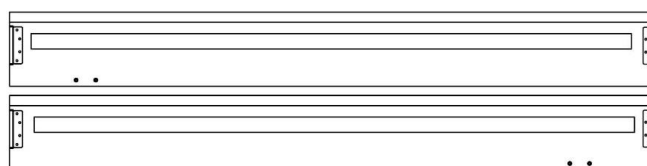
*NOTE: Additional hardware is pre-installed on your bed components.

NOT SUPPLIED: Screwdriver (Required for Step 5 – Extension Panels)

Bed Frame Parts: FLOATING BASE



Bedhead



2x Siderails



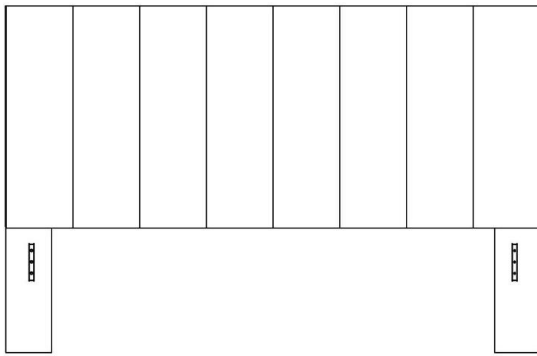
Floating Bar



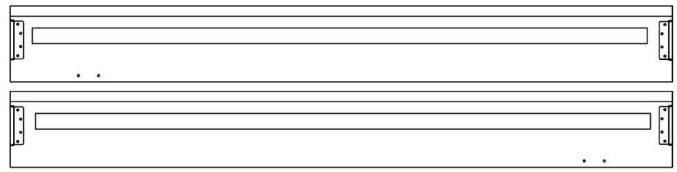
Floating Foot

Slat System: See the attached document "Amendment to instructions for all SilverLynx beds".

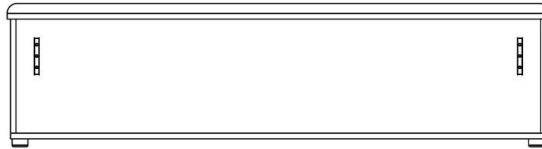
Bed Frame Parts: STORAGE BOX BASE



Bedhead



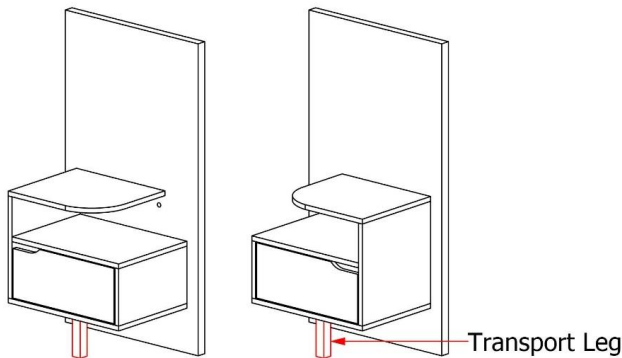
2x Siderails



Box Foot

Slat System: See the attached document "Amendment to instructions for all SilverLynx beds".

OPTIONAL Bed Frame Parts: EXTENSION PANELS



Extension Panels*

**shown with 1 drawer Bedside Table*

You may have purchased your bed with Extension Panels - with or without attached 1 drawer Bedside tables (as shown)

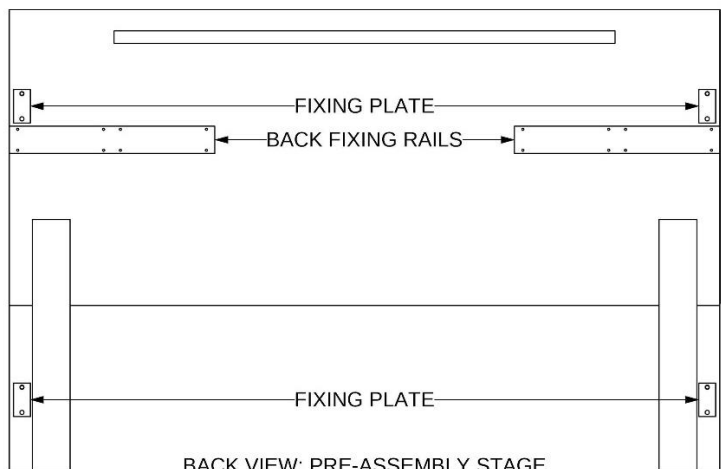
BEFORE YOU START:

BACK VIEW - Bedhead (for Extended Bed)

There are 4x aluminium Fixing Plates and 2x timber fixing rails pre-installed to the back of all Bedheads ordered with Extension Panels as per the diagram shown.

NOTE:

**If you have purchased your bed WITHOUT the extended bed head, you can go straight to Step 9*



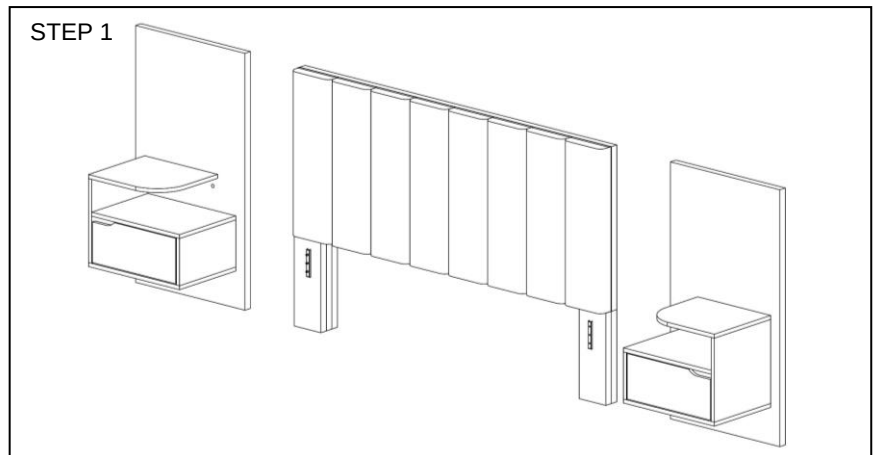
BACK VIEW: PRE-ASSEMBLY STAGE



**If you have purchased your bed WITHOUT the extended bed head, you can go straight to Step 9*

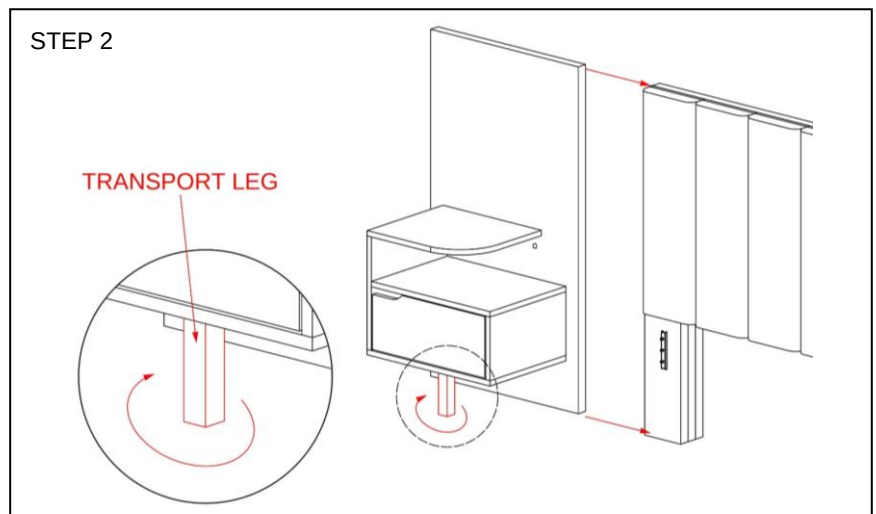
STEP 1 – Assemble the bed back section (2x bedside tables and 1x bed head)

Identify the left and right side bedside tables. Position your bed head and bedside/extension panels so they are close to their final position but leave enough space behind to access the back during assembly.



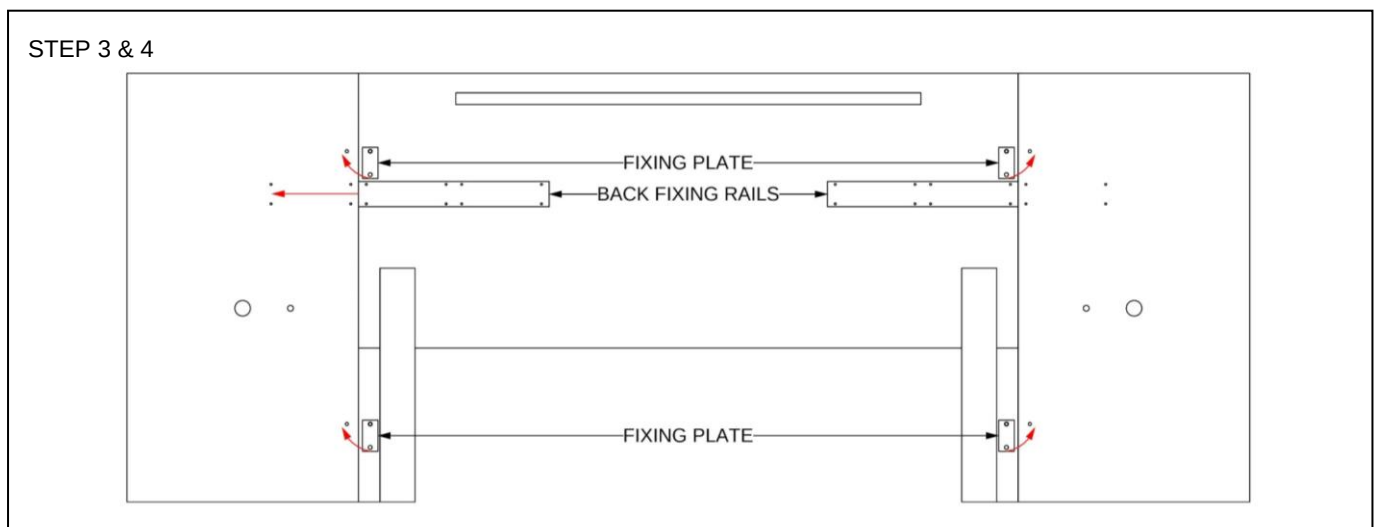
STEP 2 – Move one of the bedside/extension panels into position against bed head.

MAKE SURE YOU REMOVE (UNSCREW) THE TRANSPORT LEG FROM UNDERNEATH THE BEDSIDE TABLE BEFORE THE NEXT STEP!



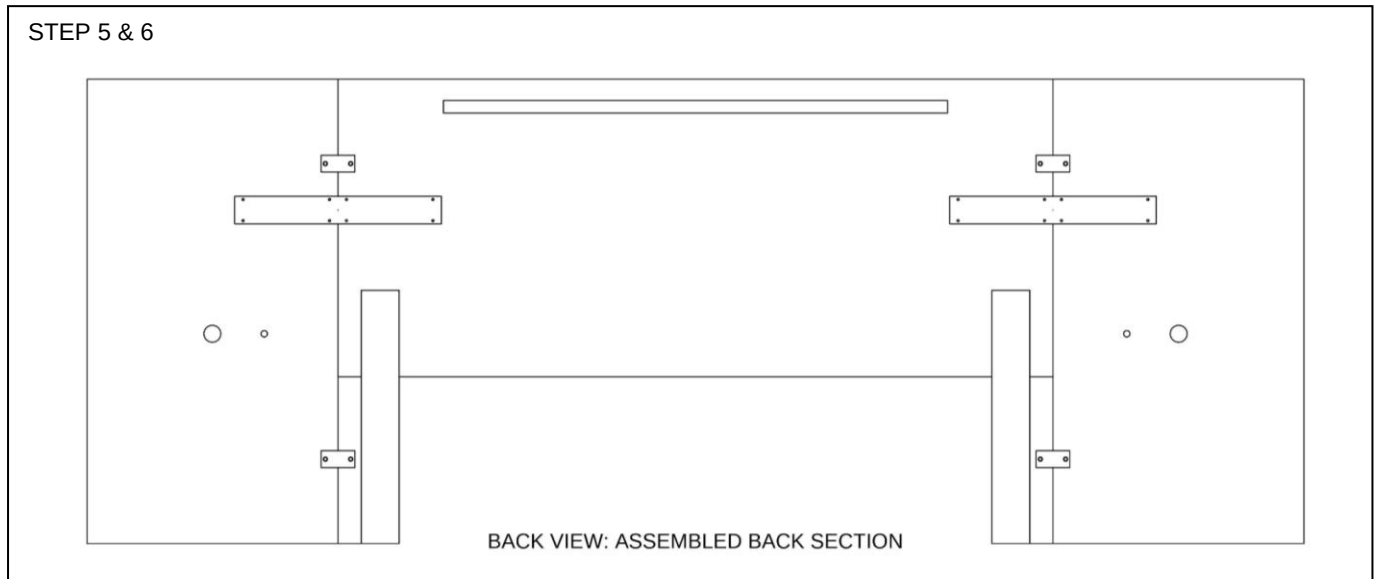
STEP 3 – From the back of the bed head, remove two black M8 16mm bolts from the bedside/extension panel and loosen the two black M8 16mm bolts holding the aluminium fixing plates to the bedhead – just enough so the plates can be rotated.

STEP 4 – Turn the aluminium fixing plates 90 degrees so that the holes align with the holes on the bedside/extension panel. Secure the plates on the bedside/extension panel using the two black M8 16mm bolts you removed in step 3. Make sure bedside/extension panel is sitting hard against bed head. NOTE – If the floor is uneven you may have to use packers to level your bed.



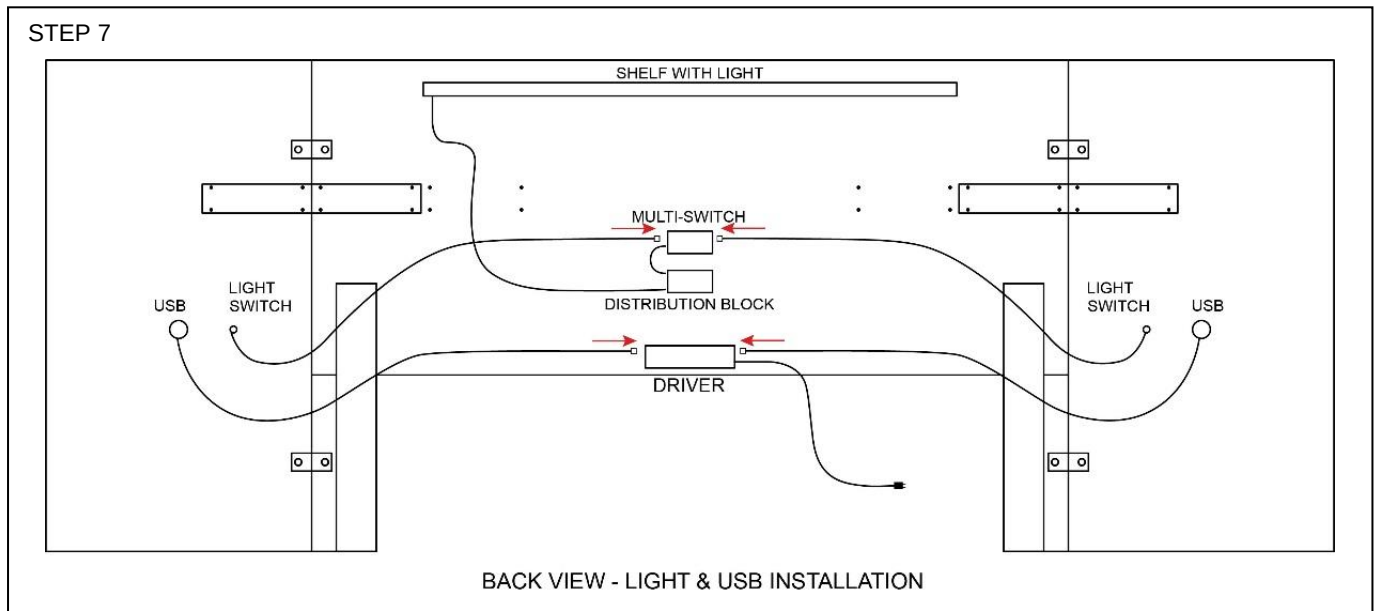
STEP 5 – Remove the back fixing rail from the bed head by removing the screws. Position it so it overlaps the bed head and bedside/extension panel evenly, using pre-drilled holes to guide position. Secure rail to both bedside/extension panel and bed head using the screws removed during this step.

STEP 6 – Repeat steps 2-5 for the other bedside table. Assembled bed (back section) should look as below.



STEP 7 – If you have purchased your bedside with USB ports and/or light switches, you will need to connect the cables from the bedside to the units on the back of the bed head as per the following diagram. Cables and matching outlets are coded with matching coloured stickers to show correct location.

NOTE – you will not be able to plug your components into the incorrect place as they will not fit.
DO NOT plug into the wall until after the cables are in place.



STEP 8 – **WARNING: HEAVY LIFTING - two or three people required**

Lift the bed back section slightly off the floor (lifting from the bed head) and carefully move it towards the wall.

DO NOT DRAG YOUR BED. If you used packers in step 4 you may need to re-position them to make sure your bedhead and bedside/extension panels are even. Ensure that bedside/extension panels remain in line with bed head at all times during this process!

STEP 9 – Position Siderails & Foot approximately in position in front of your Bed. If you are setting up a Floating Base ensure the two button head bolts that are pre-fitted to your Siderails are closest to the foot end of the bed (this is where the *Floating Bar* will go). Connect the Siderails to the Bed Head by hooking the Siderail brackets onto the Head brackets.

STEP 10 – Screw three button head bolts (M6) into the position shown to connect the Siderails to the Bed Head and tighten (finger tight only).

*Having trouble? See *Helpful Tips* at the end of this document.*

STEP 11 – Complete the above process on the other Siderail, then repeat with the Foot Panel.

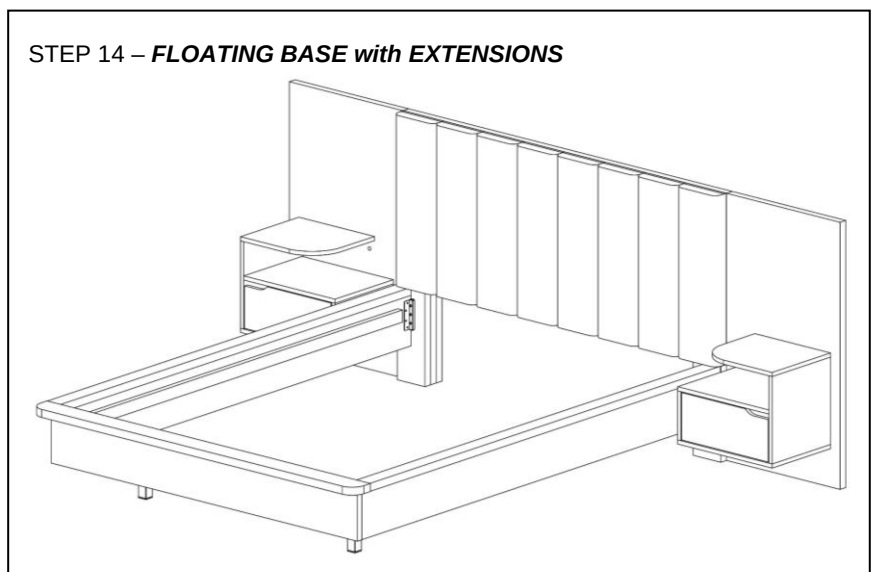
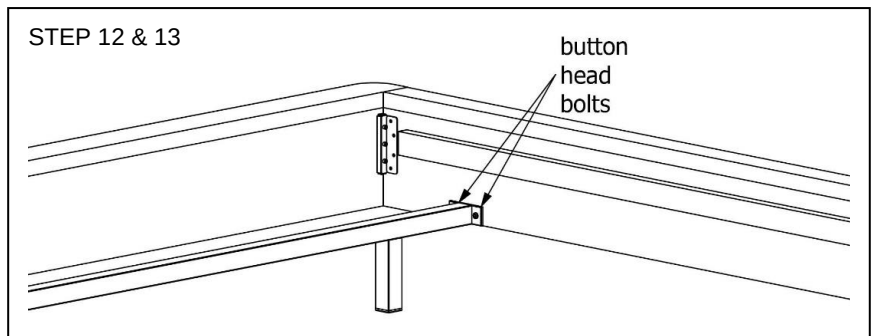
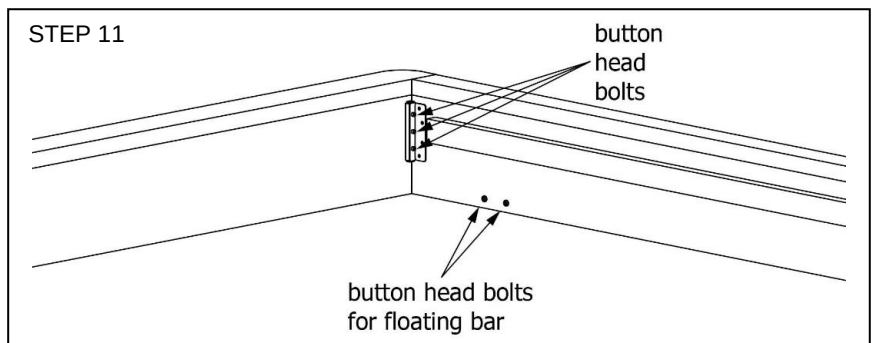
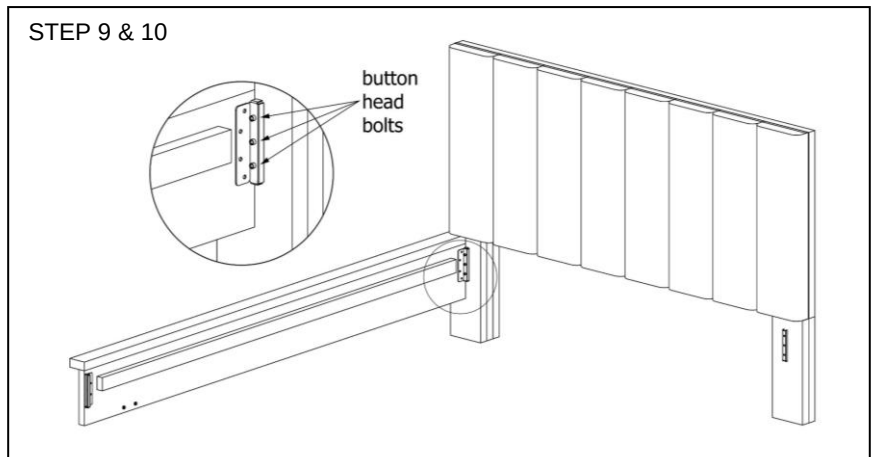
*Having trouble? See *Helpful Tips* at the end of this document.*

If you have not purchased a Floating Base, proceed to Step 14

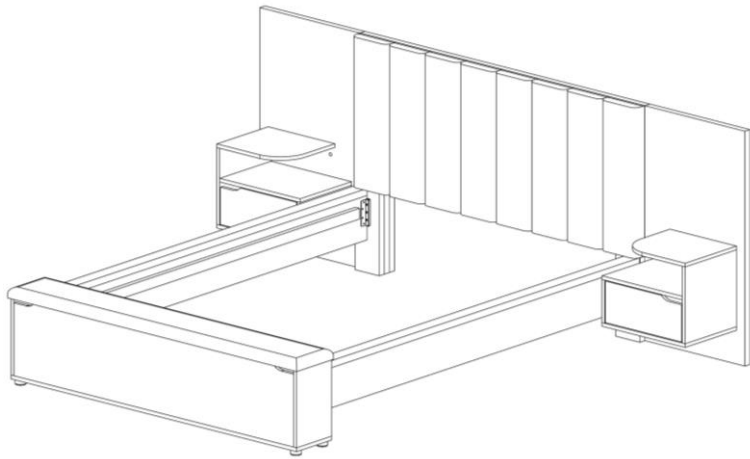
STEP 12 – Remove the two button head bolts for the Floating Bar from the foot end of each side rail. Gently lift the Siderails and position the Floating Bar, lining up the holes on each end of the Floating Bar with the holes on the Siderails.

STEP 13 – Using the bolts you removed from the Siderails, secure (finger tight) the Floating Bar in place.

STEP 14 – Ensure that the bed is sitting square and then tighten all button head bolts using the allen key. Once snug, tighten only with ¼ turn of the Allen Key. **DO NOT USE** powered drills as over-tightening can cause foot end rail to bow. Your bed should now look like the following diagram (*Floating Base*) or the diagram on the next page (*Storage Box Base*).



STEP 14 – STORAGE BOX BASE with EXTENSIONS



STEP 15 – To set up the slat and spine system, proceed to the instructions titles “Amendment to instructions for all SilverLynx beds”. Note the 2x 38mm screws provided in the hardware pack can be used in this section of the assembly

****Helpful Tips****

STEP 2 & 3

The button head bolts that connect the Siderails to the Bed Head & Foot can sometimes be tricky to align. If you are having trouble, try supporting the bottom edge of the Siderail near the bracket and lift it up while you connect the bolts. This can help line up the holes in both brackets so that the bolt can connect easily.

GENERAL

Make sure not to tighten bolts before attaching all components and making sure they sit square. Once you are ready, make sure all bolts are snug, then tighten **only** with $\frac{1}{4}$ turn of the Allen Key. **DO NOT USE** powered drills as over-tightening can cause components to bow.

Never force bolts if you can feel resistance as this can cause the thread to strip. Try to adjust the hole alignment until your bolt can connect easily by hand.

NOTES

- Button head bolts should be regularly inspected and may need to be retightened periodically
- **Never drag or move assembled bed as this may damage the bed**

CARE & MAINTENANCE

Your SilverLynx product is crafted with care, properly maintained, it will mature over time developing a rich deep patina enhancing its appearance. To get the best performance from your SilverLynx product, please follow the simple care instructions listed below.

- Do not use silicone based polishes/cleaners at any time.
- Dust surfaces gently with a feather duster then wipe gently with a slightly damp cloth/chamois.
- Do not allow liquids, damp clothes to remain in contact with lacquered surface for extended periods.
- Never place furniture in close proximity to heating outlets.
- Exposure to direct sunlight will cause colour fading to fabrics, leathers and timber finishes.
- Do not allow solvents, abrasives or heated objects to come in contact with the product.
- Do not use cordless drivers or power drills to tighten any bolts, as over-tightening can cause components to bow, and can cause damage to the bolts.

Contact your retailer or our sales office for further information

Bomi Furniture P/L trading as SilverLynx ABN 99 006 489 541 11-17 Sages Road Glenroy Victoria 3046 Australia
T:+61 3 9359 4000 F:+61 3 9359 4322 E:sales@silverlynx.com.au W:www.silverlynx.com.au

