

Thank you for purchasing a SilverLynx product

As one of Australia's leading bedroom furniture manufacturers, we have long established partnerships with Australia's most successful retailers.

Customers who buy our products recognise our commitment to quality and customer satisfaction.

SilverLynx is a **values**-based business. Our commitment to quality, evolving design leadership, customer service and exceeding customer expectations - is unsurpassed in the industry.

Enjoy your SilverLynx product.

SILVER LYNX



LINCOLN 4 POSTER BED

Assembly Instructions

Please retain these instructions for future reference

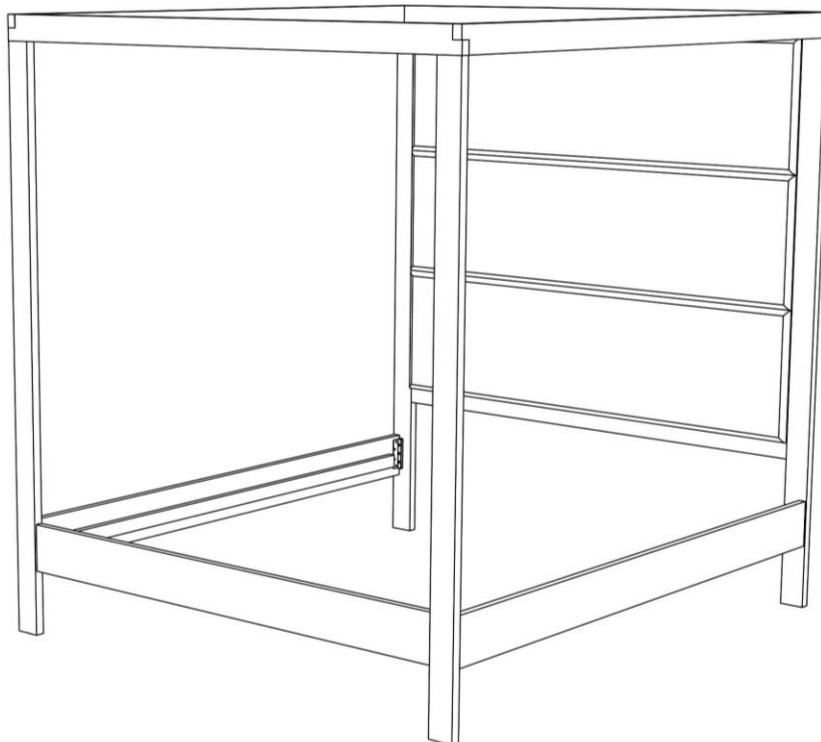
Please read through these assembly instructions carefully to ensure that you can assemble your new purchase without stress. These detailed instructions will guide you on how to prepare and assemble your bedroom suite.

DIFFICULTY

NOVICE One person, no additional equipment	MODERATE Two people, no additional equipment	MODERATE* Two people, additional equipment required	EXPERT Qualified tradesperson recommended
--	--	---	---



WE ADVISE YOU DO NOT USE POWERED DRILLS TO ASSEMBLE ANY BOLTS ON THIS BED



Please note, your bed head may look different to this image, however the following instructions will still apply

Bomi Furniture P/L trading as SilverLynx ABN 99 006 489 541 11-17 Sages Road Glenroy Victoria 3046 Australia
T: +61 3 9359 4000 F: +61 3 9359 4322 E: sales@silverlynx.com.au W: www.silverlynx.com.au



EQUIPMENT PROVIDED

Hardware Pack: containing - 12x (M6) 10mm button head bolts; 2x 38mm screws; 4x M6 110mm bolts; 2x allen keys



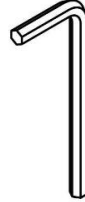
x12



x2



x4

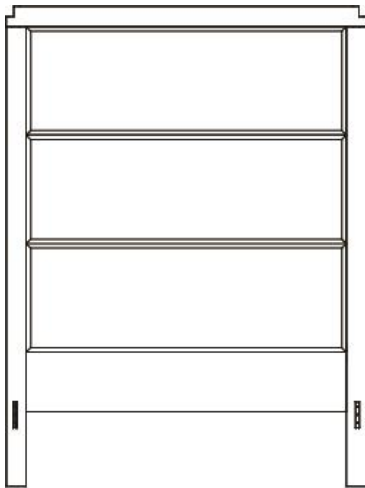


x1

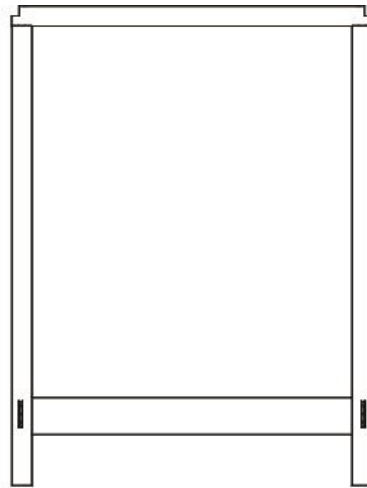


x1

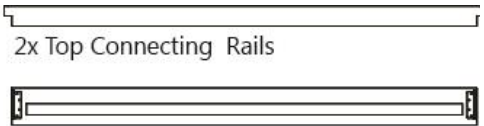
Bed Frame Parts:



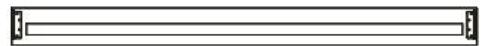
Bedhead*



Bed Foot



2x Top Connecting Rails



2x Side Rails

*Please note your Bedhead may look different to the above, however the following instructions will still apply

Slat System: See the attached document "Amendment to instructions for all SilverLynx beds".

Not Provided: Phillips head screwdriver

NOTE – The Lincoln 4 Poster has been shipped as shown on the previous page, however, the Bed Head and Foot can be partially knocked-down to assist delivery through tight spaces if needed. If you are going to partially knock-down your bed before setup, please start at STEP 1. If your bed can be delivered without knocking-down, please proceed to STEP 3.

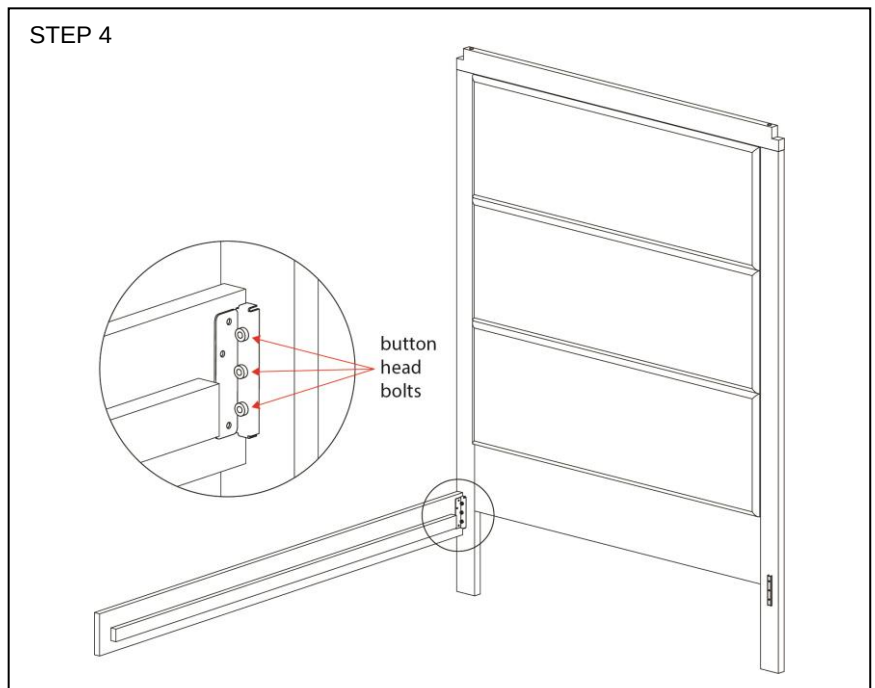
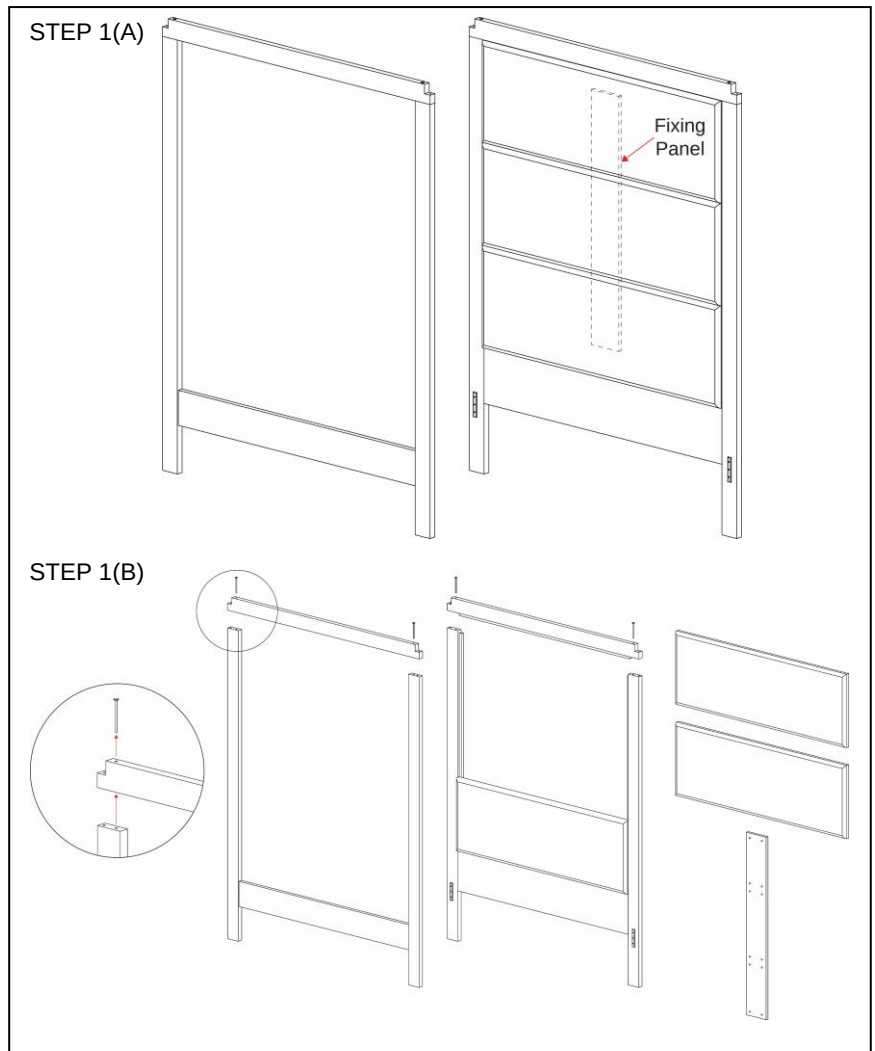
STEP 1 – (A) If you have purchased the Full Height Upholstered Bedhead, first remove the fixing panel and the top two upholstered panels from the back of the Bedhead by removing the screws as necessary. **NOTE** - we recommend that you **DO NOT** remove the bottom upholstered panel.

(B) Next (or first for all other styles), remove the top capping from the Bedhead and Foot by loosening the bolts as shown below using the small allen key provided.

STEP 2 – Move your components into the space where they are to be set up. Re-fit the top capping on the head and foot. Bolts should be wound in firmly but not overtight. Re-fit the two upholstered panels and the fixing panel.

STEP 3 – Place your Bedhead and Side Rails approximately where you would like your bed to be set up. Connect the Side Rail to the Bedhead by hooking the side rail brackets onto the head brackets.

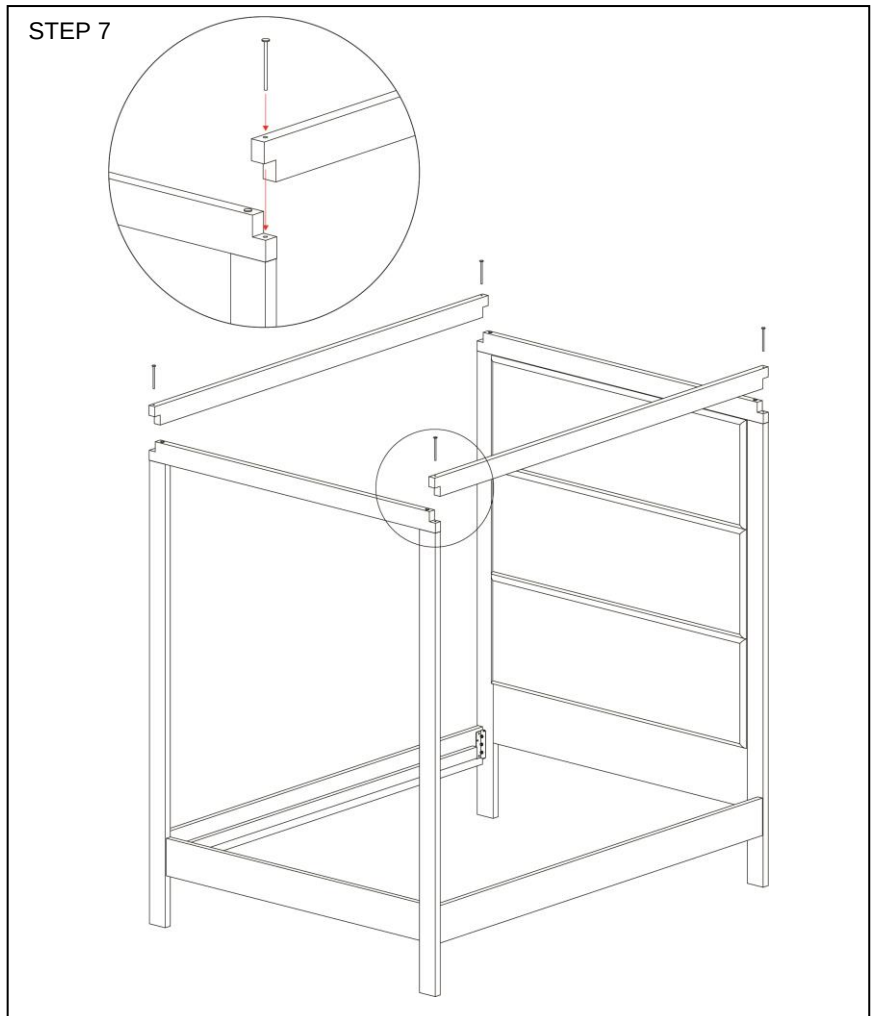
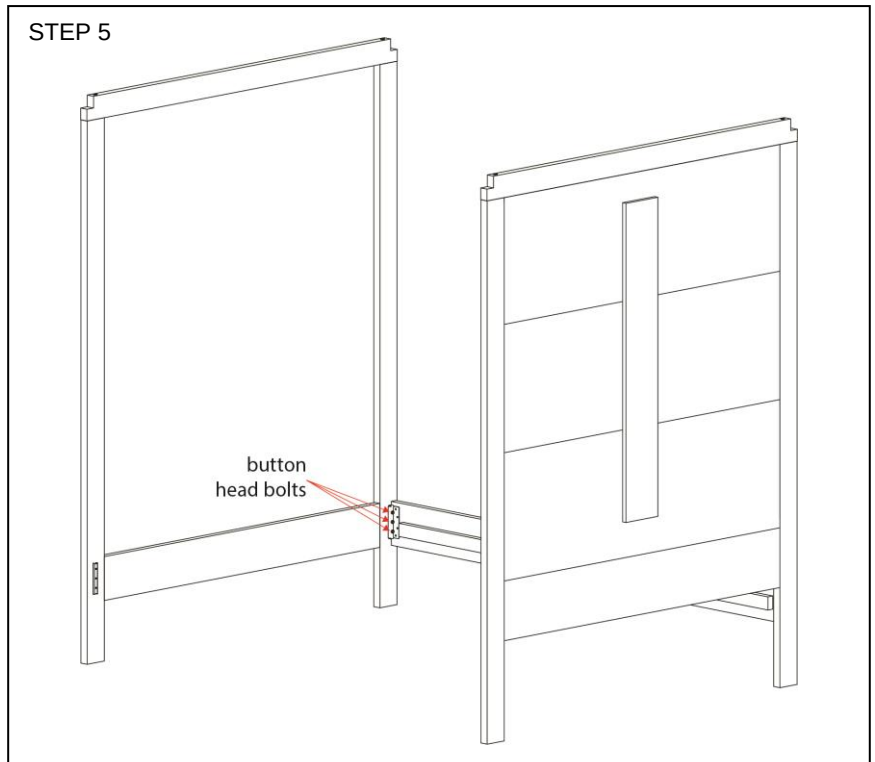
STEP 4 – Screw three button head bolts (M6) into the position shown to connect the Side Rails to the Bed Head and tighten (finger tight only).
*Having trouble? See *Helpful Tips* at the end of this document.*



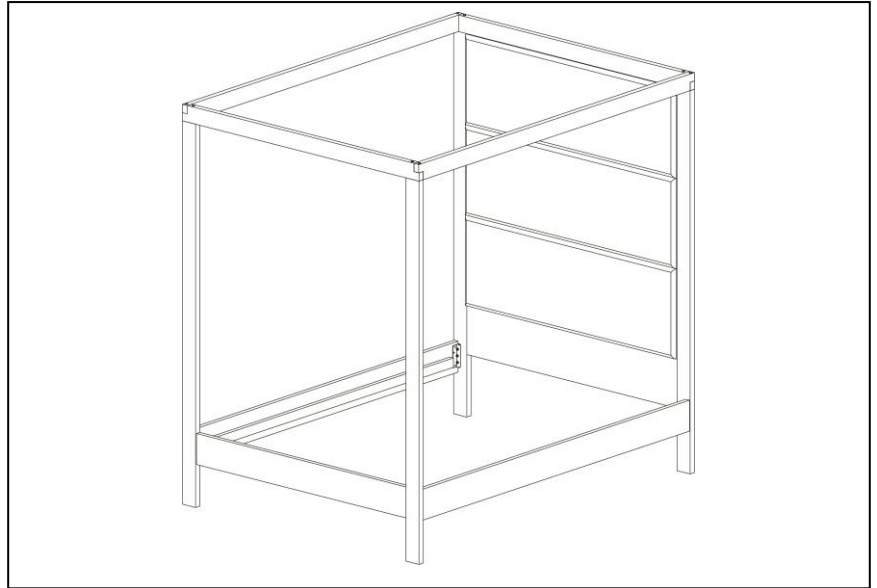
STEP 5 – Complete the above process on the other Side Rail, then repeat with the Foot Panel.
*Having trouble? See *Helpful Tips* at the end of this document.*

STEP 6 – Ensure that the bed is sitting square and then tighten all button head bolts using the allen key. Once snug, tighten only with ¼ turn of the Allen Key. **DO NOT USE** powered drills as over-tightening can cause foot end rail to bow.

STEP 7 – Fit your Top Connecting Rails using the 4x 110mm bolts and the small allen key provided. Bolts should be wound in firmly but not overtight. After this step your bed should look like the diagram on the next page.



STEP 8 – To set up the slat and spine system, proceed to the instructions titles “Amendment to instructions for all SilverLynx beds”. Note the 2x 38mm screws provided in the hardware pack can be used in this section of the assembly.



Helpful Tips

STEP 2 & 3

The button head bolts that connect the Siderails to the Bed Head & Foot can sometimes be tricky to align. If you are having trouble, try supporting the bottom edge of the Siderail near the bracket and lift it up while you connect the bolts. This can help line up the holes in both brackets so that the bolt can connect easily.

GENERAL

Make sure not to tighten bolts before attaching all components and making sure they sit square. Once you are ready, make sure all bolts are snug, then tighten **only** with ¼ turn of the Allen Key. **DO NOT USE** powered drills as over-tightening can cause components to bow.

Never force bolts if you can feel resistance as this can cause the thread to strip. Try to adjust the hole alignment until your bolt can connect easily by hand.

NOTES

- Button head bolts should be regularly inspected and may need to be retightened periodically
- **Never drag or move assembled bed as this may damage the bed**

CARE & MAINTENANCE

Your SilverLynx product is crafted with care, properly maintained, it will mature over time developing a rich deep patina enhancing its appearance. To get the best performance from your SilverLynx product, please follow the simple care instructions listed below.

- Do not use silicone based polishes/cleaners at any time.
- Dust surfaces gently with a feather duster then wipe gently with a slightly damp cloth/chamois.
- Do not allow liquids, damp clothes to remain in contact with lacquered surface for extended periods.
- Never place furniture in close proximity to heating outlets.
- Exposure to direct sunlight will cause colour fading to fabrics, leathers and timber finishes.
- Do not allow solvents, abrasives or heated objects to come in contact with the product.
- Do not use cordless drivers or power drills to tighten any bolts, as over-tightening can cause components to bow, and can cause damage to the bolts.

Contact your retailer or our sales office for further information

