

Thank you for purchasing a SilverLynx product

As one of Australia's leading bedroom furniture manufacturers, we have long established partnerships with Australia's most successful retailers.

Customers who buy our products recognise our commitment to quality and customer satisfaction.

SilverLynx is a **values**-based business. Our commitment to quality, evolving design leadership, customer service and exceeding customer expectations - is unsurpassed in the industry.

Enjoy your SilverLynx product.

SILVER LYNX



HUGO BED (Extended) / Floating Base Assembly Instructions

Please retain these instructions for future reference

Please read through these assembly instructions carefully to ensure that you can assemble your new purchase without stress. These detailed instructions will guide you on how to prepare and assemble your bedroom suite.

DIFFICULTY

NOVICE	MODERATE	MODERATE*	EXPERT
One person, no additional equipment	Two people, no additional equipment	Two people, additional equipment required	Qualified tradesperson recommended



WE ADVISE YOU DO NOT USE POWERED DRILLS TO ASSEMBLE ANY BOLTS ON THIS BED

EQUIPMENT PROVIDED

Hardware Pack: containing – 12x (M6) 10mm button head bolts; 2x 38mm screws; 4x 50mm bolts; 2x 90mm bolts; 2x nuts; 8x washers; 1x allen key. (**Other Equipment required:** wrench (not provided))

ATTENTION: you MUST INSTALL WASHERS as directed

Bed Frame Parts:

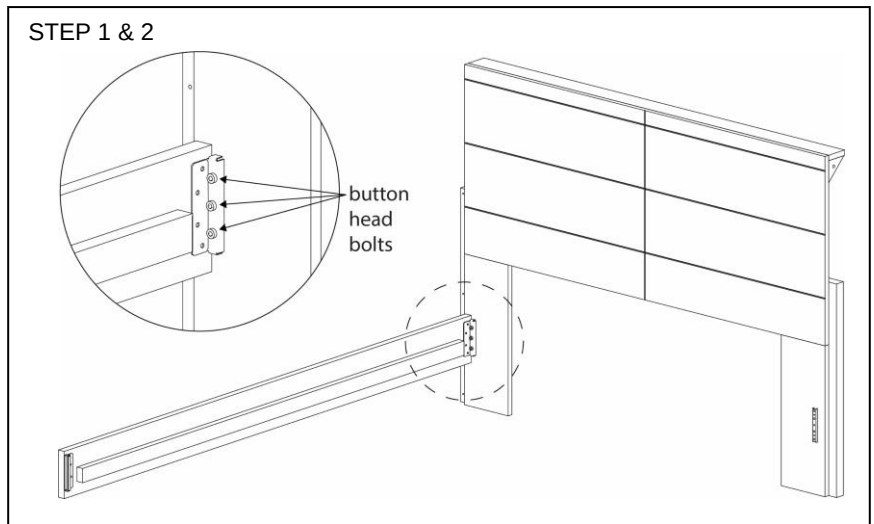


Slat System: See the attached document "Amendment to instructions for all SilverLynx beds".

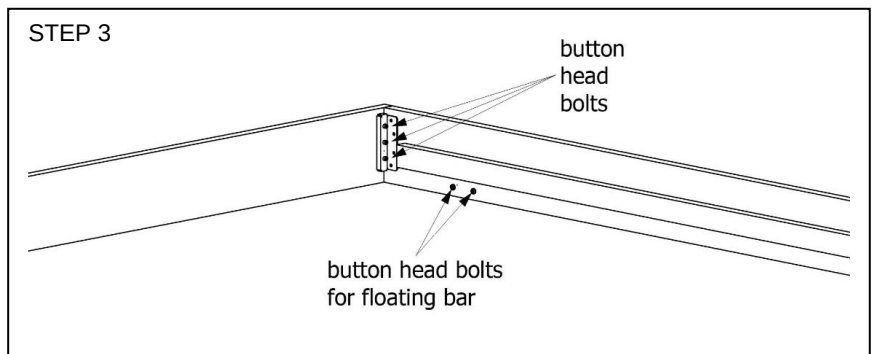


STEP 1 – Position Bed Head and Side Rails approximately where your bed is to be set up (make sure you can access behind the Bed Head - required for Step 7). *NOTE* the two button head bolts pre-fitted to your Side Rails must be positioned at the foot end of the bed. Connect the Side Rails to the Bed Head by hooking the Side Rail brackets onto the Head brackets.

STEP 2 – Screw three button head bolts (M6) into the position shown to connect the Side Rails to the Bed Head and tighten (finger tight only).
*Having trouble? See *Helpful Tips* at the end of this document.*



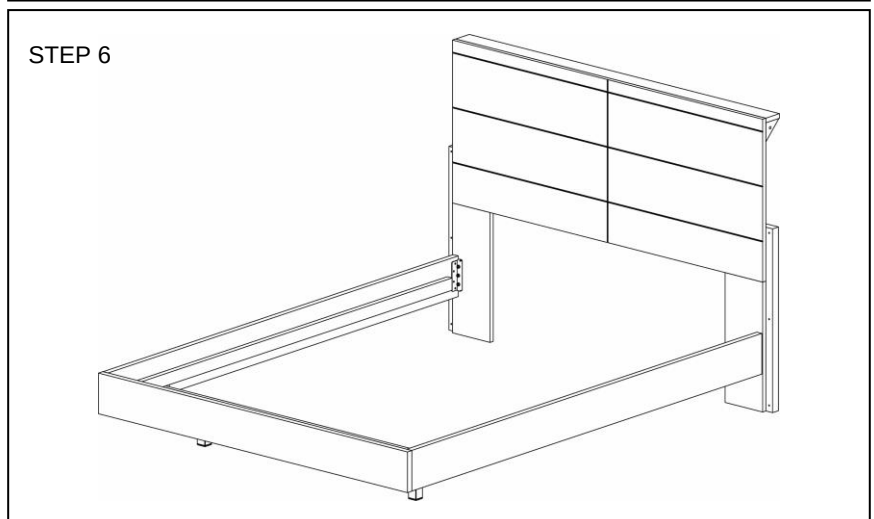
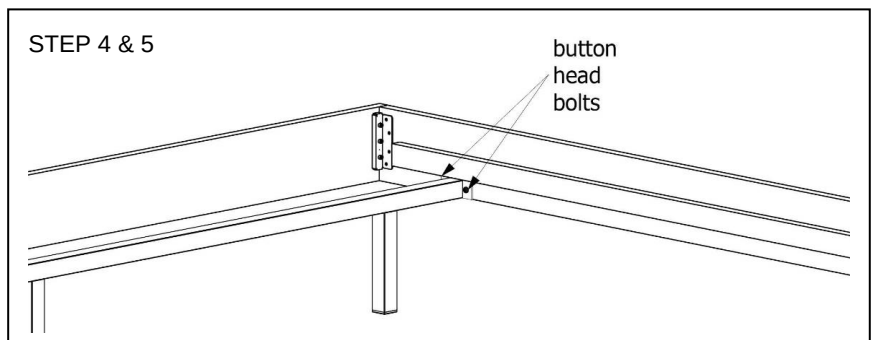
STEP 3 – Complete the above process on the other Side Rail, then repeat with the Foot Panel.
*Having trouble? See *Helpful Tips* at the end of this document.*



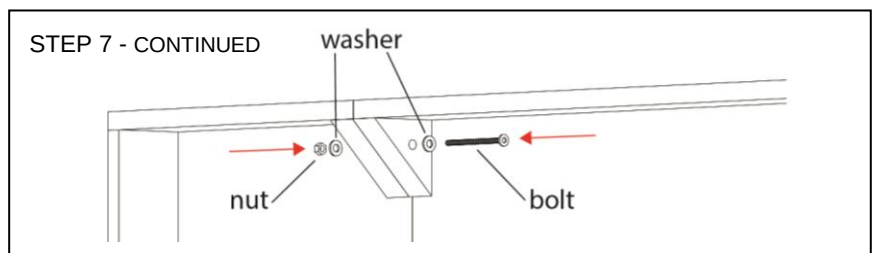
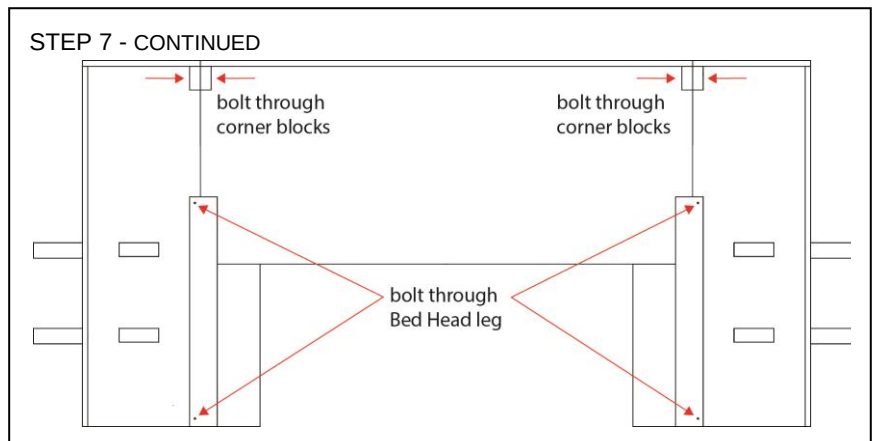
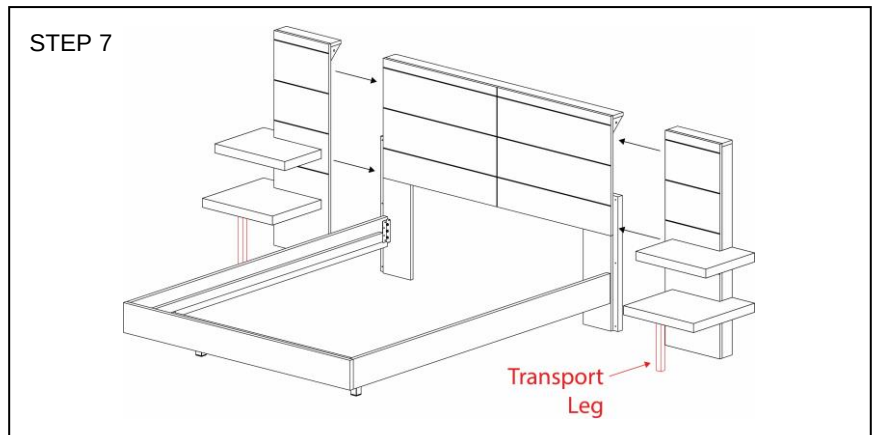
STEP 4 – Remove the two button head bolts for the Floating Bar from the foot end of each Side Rail. Gently lift the Side Rails and position the Floating Bar, lining up the holes on each end of the Floating Bar with the holes on the Side Rails.

STEP 5 – Using the bolts you removed from the Side Rails, secure (finger tight only) the Floating Bar in place

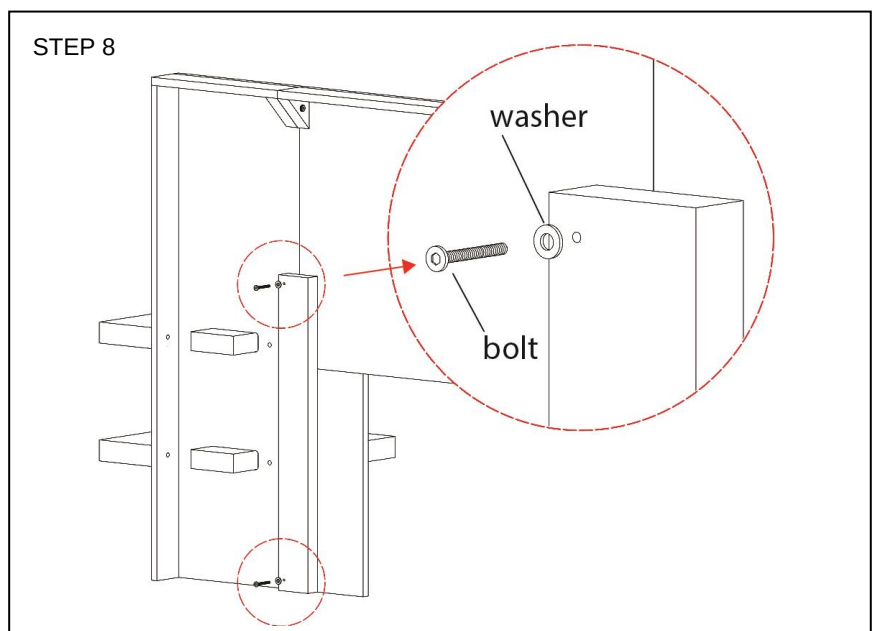
STEP 6 – Ensure that the bed is sitting square and then tighten all button head bolts using the allen key. Once snug, tighten only with ¼ turn of the Allen Key. **DO NOT USE** powered drills as over-tightening can cause foot end rail to bow. Your bed should now look like the following diagram.



STEP 7 – Carefully move your Extensions into place beside the Bed Head. Use the (2x) 90mm bolts, (2x) nuts, & (4x) washers provided to connect through the corner brackets at the back of the Bed Head (under the top rail). Ensure you use a washer on each side of the corner blocks as shown below. Do not tighten until you have connected the legs to the Extensions in the next step.



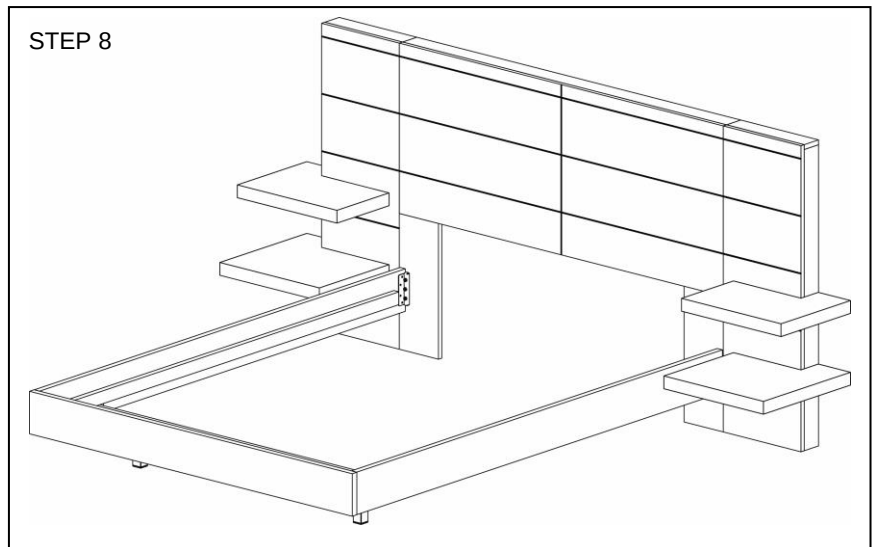
STEP 8 – Use the (4x) 50mm bolts with the (4x) remaining washers (placed between the leg and the bolt head) to secure the Extensions to the Bed Head Leg. Tighten the bolts on the Corner Blocks using the allen key (provided) and wrench (not provided), then tighten the Bed Head Legs using the allen key. Be careful not to overtighten – once snug tighten only with ¼ turn of the allen key. Once the Extensions are fitted, you may unscrew the transport leg from the front of your floating shelves.



WARNING: You **MUST INSTALL WASHERS** at this step to control bolt depth!



STEP 9 – To set up the slat and spine system, proceed to the instructions titled “Amendment to instructions for all SilverLynx beds”. Note the 2x 38mm screws provided in the hardware pack can be used in this section of the assembly.



****Helpful Tips****

STEP 2 & 3

The button head bolts that connect the Siderails to the Bed Head & Foot can sometimes be tricky to align. If you are having trouble, try supporting the bottom edge of the Siderail near the bracket and lift it up while you connect the bolts. This can help line up the holes in both brackets so that the bolt can connect easily.

GENERAL

Make sure not to tighten bolts before attaching all components and making sure they sit square. Once you are ready, make sure all bolts are snug, then tighten **only** with ¼ turn of the Allen Key. **DO NOT USE** powered drills as over-tightening can cause components to bow.

Never force bolts if you can feel resistance as this can cause the thread to strip. Try to adjust the hole alignment until your bolt can connect easily by hand.

NOTES

- Button head bolts should be regularly inspected and may need to be retightened periodically
- **Never drag or move assembled bed as this may damage the bed**

CARE & MAINTENANCE

Your SilverLynx product is crafted with care, properly maintained, it will mature over time developing a rich deep patina enhancing its appearance. To get the best performance from your SilverLynx product, please follow the simple care instructions listed below.

- Do not use silicone based polishes/cleaners at any time.
- Dust surfaces gently with a feather duster then wipe gently with a slightly damp cloth/chamois.
- Do not allow liquids, damp clothes to remain in contact with lacquered surface for extended periods.
- Never place furniture in close proximity to heating outlets.
- Exposure to direct sunlight will cause colour fading to fabrics, leathers and timber finishes.
- Do not allow solvents, abrasives or heated objects to come in contact with the product.
- Do not use cordless drivers or power drills to tighten any bolts, as over-tightening can cause components to bow, and can cause damage to the bolts.

Contact your retailer or our sales office for further information

Bomi Furniture P/L trading as SilverLynx ABN 99 006 489 541 11-17 Sages Road Glenroy Victoria 3046 Australia
T:+61 3 9359 4000 F:+61 3 9359 4322 E:sales@silverlynx.com.au W:www.silverlynx.com.au

