

Thank you for purchasing a SilverLynx product

As one of Australia's leading bedroom furniture manufacturers, we have long established partnerships with Australia's most successful retailers.

Customers who buy our products recognise our commitment to quality and customer satisfaction.

SilverLynx is a **values**-based business. Our commitment to quality, evolving design leadership, customer service and exceeding customer expectations - is unsurpassed in the industry.

Enjoy your SilverLynx product.

SILVER LYNX



GAP X (Extended Bed Head)

Assembly Instructions

Please retain these instructions for future reference

Please read through these assembly instructions carefully to ensure that you can assemble your new purchase without stress. These detailed instructions will guide you on how to prepare and assemble your bedroom suite.

DIFFICULTY

NOVICE

One person, no additional equipment

MODERATE

Two people, no additional equipment

MODERATE*

Two people, additional equipment required

EXPERT

Qualified tradesperson recommended

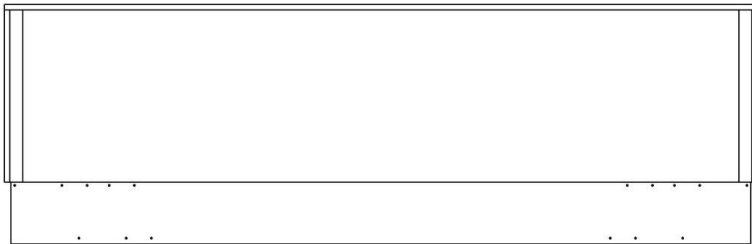


WE ADVISE YOU **DO NOT** USE POWERED DRILLS FOR THIS ASSEMBLY

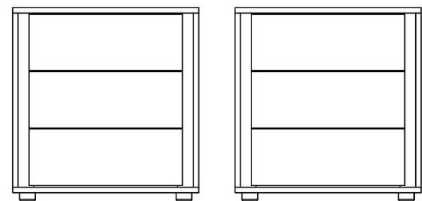
EQUIPMENT PROVIDED

Hardware Pack: containing – 6x 1 ¼ inch screws

Parts:



Extended Bedhead



2x Bedside*

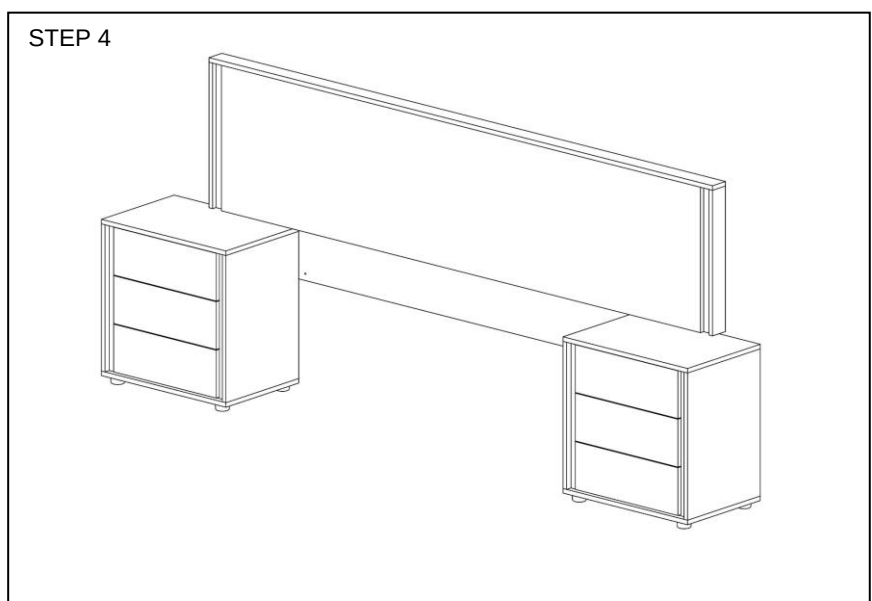
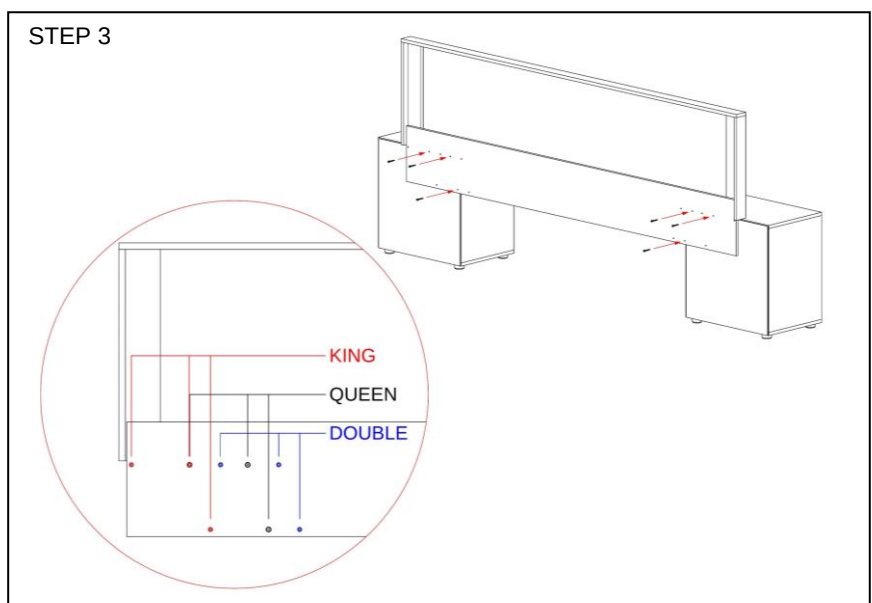
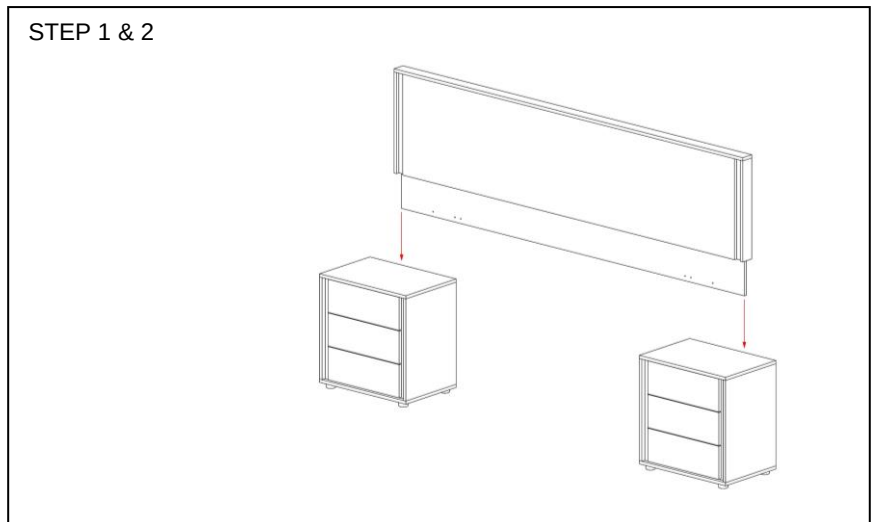
**3drw Large Bedside are recommended for the Extended Bedhead, however any of the Gap X Bedside can be used
Note: two of the same bedside must be used and selected size will effect overall height*

STEP 1 – Place the Bedsides on either side of the mattress and base set (not pictured), approximately where your bed is to be set up. Ensure there is enough space behind the Bedsides to use a screwdriver (next steps).

STEP 2 – Lower the Bedhead panel onto the Bedsides, making sure the clearance holes in the Bedhead panel line up with the pilot holes in the back of the Bedsides. DO NOT slide Bedhead on Bedside tops. Make sure to LIFT Bedhead to avoid scratching the top of your Bedsides. NOTE: Gap X Extended Bedhead is designed to suit King, Queen, & Double ensemble bases. See diagram for Step 3 for which hole setting to use for your size.

STEP 3 – Install each of the six screws provided through the clearance holes on the Bedhead panel and screw them into the pilot holes on the Bedsides using a phillips head screwdriver. Ensure the screws are driven in straight to avoid screws damaging the surface of the Bedsides. *Note: we advise you DO NOT use powered drills for this assembly.*

STEP 4 – Once assembled, move Bedhead and Bedsides toward wall, ensuring they are moved evenly without and twist, as this may cause the joint to fail. Your bed should now look like the following diagram.



NOTES

- **Never drag or move assembled bed as this may damage the bed**

CARE & MAINTENANCE

Your SilverLynx product is crafted with care, properly maintained, it will mature over time developing a rich deep patina enhancing its appearance. To get the best performance from your SilverLynx product, please follow the simple care instructions listed below.

- Do not use silicone based polishes/cleaners at any time.
- Dust surfaces gently with a feather duster then wipe gently with a slightly damp cloth/chamois.
- Do not allow liquids, damp clothes to remain in contact with lacquered surface for extended periods.
- Never place furniture in close proximity to heating outlets.
- Exposure to direct sunlight will cause colour fading to fabrics, leathers and timber finishes.
- Do not allow solvents, abrasives or heated objects to come in contact with the product.
- Do not use cordless drivers or power drills to tighten any bolts, as over-tightening can cause components to bow, and can cause damage to the bolts.

Contact your retailer or our sales office for further information

