

## Thank you for purchasing a Silverlynx product

As one of Australia's leading bedroom furniture manufacturers, we have long established partnerships with Australia's most successful retailers.

Customers who buy our products recognise our commitment to quality and customer satisfaction.

Silverlynx is a value's based business. Our commitment to quality, evolving design leadership, customer service and exceeding customer expectations - is unsurpassed in the industry.

Enjoy your Silverlynx product.

# SILVER LYNX



## DRAWER BASE BED

### Assembly Instructions

Please retain these instructions for future reference

Please read through these assembly instructions carefully to ensure that you can assemble your new purchase without stress. These detailed instructions will guide you on how to prepare and assemble your bedroom suite.

#### DIFFICULTY

<b>NOVICE</b> One person, no additional equipment	<b>MODERATE</b> Two people, no additional equipment	<b>MODERATE*</b> Two people, additional equipment required	<b>EXPERT</b> Qualified tradesperson recommended
--	--	---	---



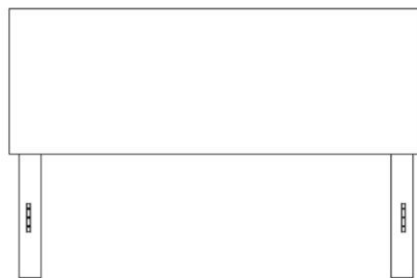
WE ADVISE YOU DO NOT USE POWERED DRILLS TO ASSEMBLE ANY BOLTS ON THIS BED

#### EQUIPMENT PROVIDED

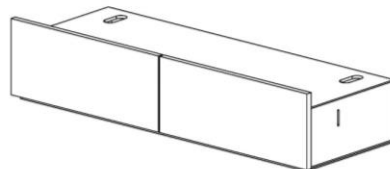
**Hardware Pack - attached to Siderails:** containing - 12x (M6) 10mm button head bolts; 2x 15mm phillips head screws; 2x 38mm screws; 2x 30mm bolts; 2x washers; 1x allen key

**Note:** These instructions will also guide you on how to use the additional hardware pre-fitted to your bed components

#### Bed Frame Parts:



Bedhead\*



Foot End Drawer Box



2x Siderails

\*Please note, your bed head may look different, however the following instructions will still apply

**Slat System:** See the attached document "Amendment to instructions for all SilverLynx beds"

**Not Provided:** Phillips head screwdriver

**STEP 1** – Position Bed Head and Side Rails approximately where your bed is to be set up. *NOTE* the cleat is installed on the Side Rail closer to the head end as shown. Connect the Side Rails to the Bed Head by hooking the Side Rail brackets onto the Head brackets.

**STEP 2** – Screw three button head bolts (M6) into the position shown to connect the Side Rails to the Bed Head and tighten (finger tight only).

*Having trouble? See \*Helpful Tips\* at the end of this document.*

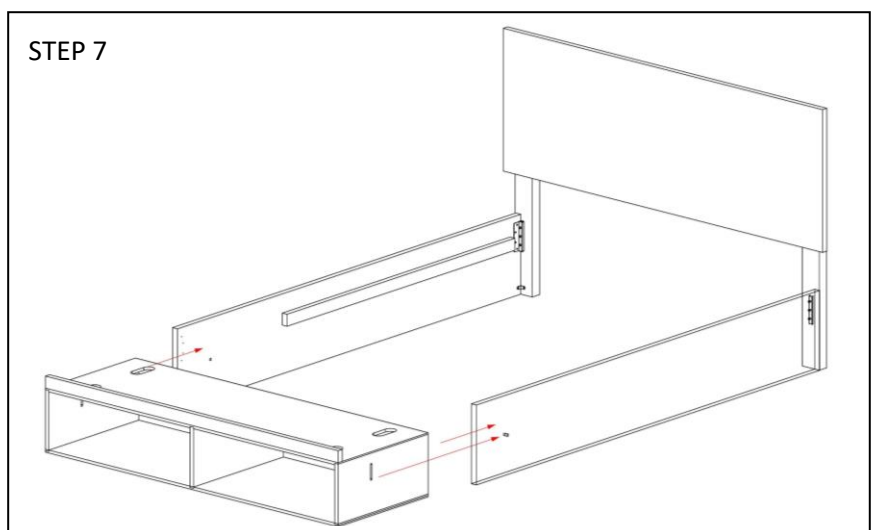
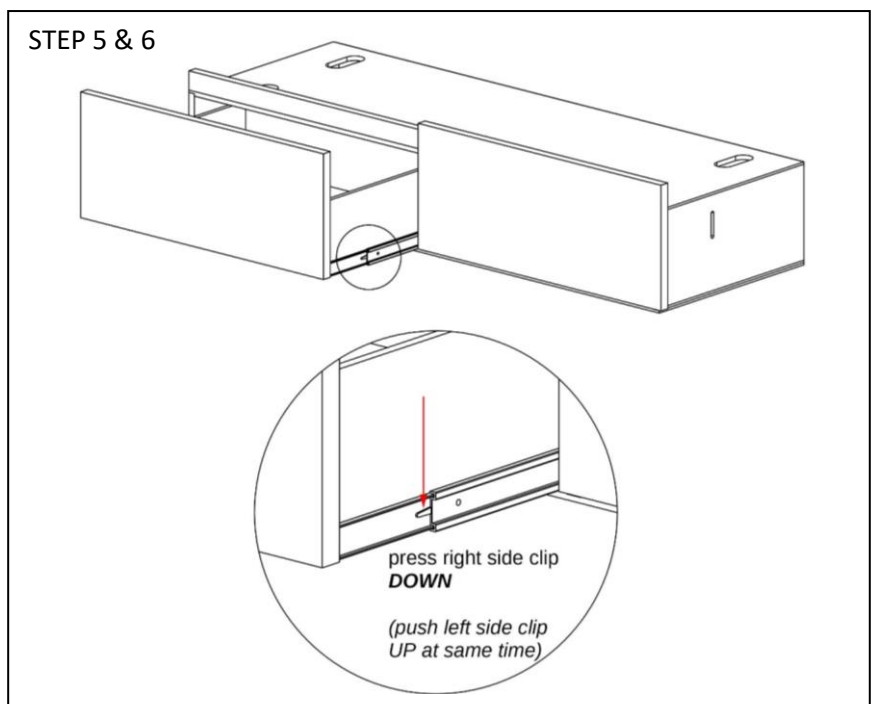
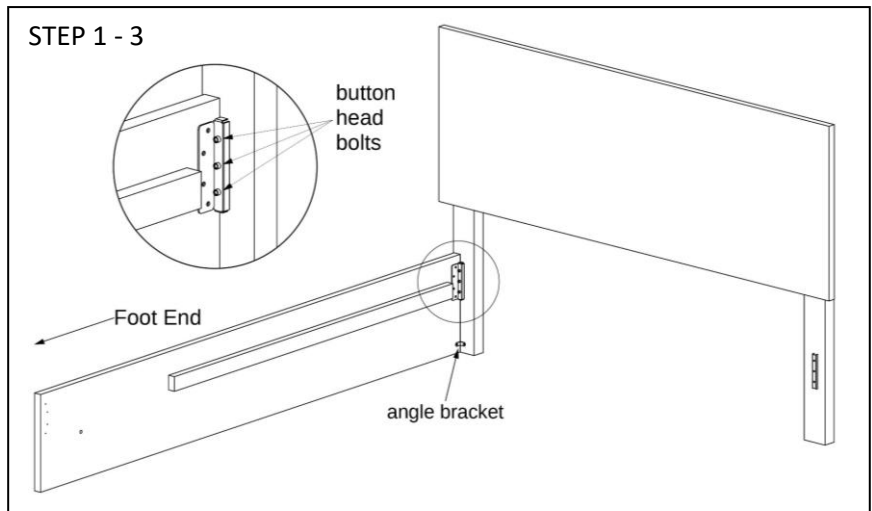
**STEP 3** – Optional angle brackets located near the bottom of the head end of your Side Rails can be fixed to keep the Side Rails parallel with the bedhead. Use the 15mm screws provided to screw through the angle bracket (*you will need a Phillips head screwdriver*).

**STEP 4** – Complete the above process on the other Side Rail.

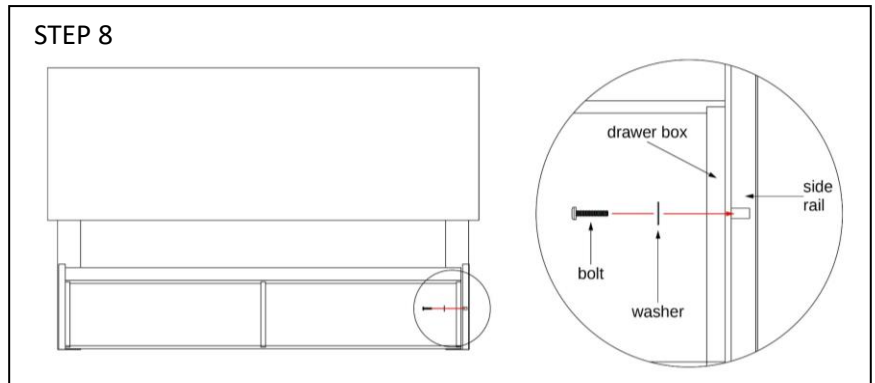
**STEP 5 – Fitting the Underbed Drawer**  
Remove the drawers from the Drawer Box – to do this, open the drawer all the way out. There is plastic clip along the side of the drawer runners. Standing in front of your open drawer, push the clip on your **left up**, while simultaneously pushing the clip on the **right down**. This will release the drawer runner and you should be able to completely remove the drawer so that you can access the inside of the box.

**STEP 6** – Remove the other drawer - making sure not to swap them when re-installing. (Note, King Single and Single beds will only have one drawer)

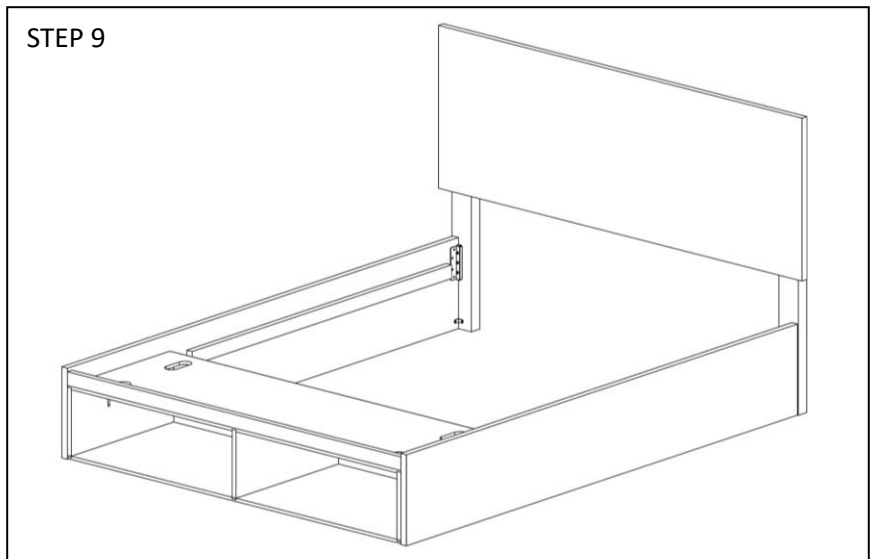
**STEP 7** – Gently move the Drawer Box into place so that it lines up with the Side Rails (use the cut-outs on top of the Drawer Box as handles). There is a slot on the side of the drawer box that will line up with the bolt holes near the foot end of the Side Rails.



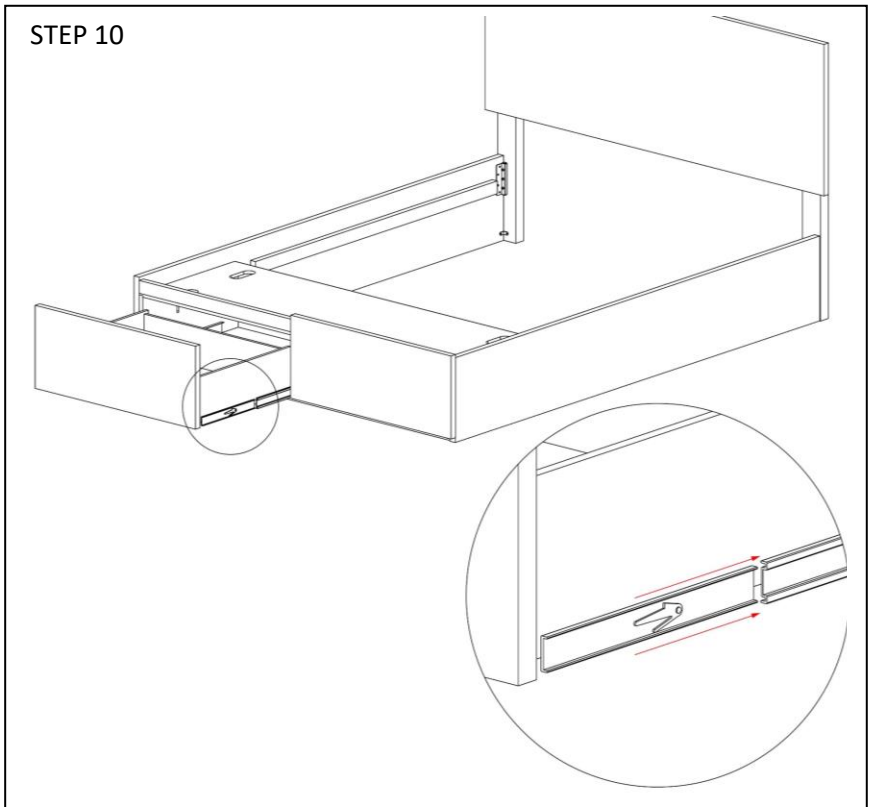
**STEP 8** – From the inside of the Drawer Box, use the 2x 30mm bolts and 2x washers to secure the Drawer Box to the Side Rail (1 each side)



**STEP 9** – Ensure the bed is square and then tighten all bolts using the allen key provided. Once snug, tighten only with ¼ turn of the Allen Key. DO NOT USE cordless drivers or power drills as over-tightening can cause damage to some components.



**STEP 10** – Re-install the drawers by lining up the runner components on each drawer with the components in the Drawer Box. Ensure your drawers have not swapped position or they will not fit. NOTE: you do not need to press the plastic clips, but must make sure the drawer goes in straight and evenly. If the drawer does not go all the way to the closed position, pull it open a few centimetres and then push closed again. *Having trouble? See \*Helpful Tips\* at the end of this document*



**STEP 11** –To set up the slat and spine system, proceed to the instructions titles “Amendment to instructions for all SilverLynx beds”. Note the 2x 38mm screws provided in the hardware pack can be used in this section of the assembly

### **\*Helpful Tips\***

#### **STEP 2 & 3**

The button head bolts that connect the Siderails to the Bed Head & Foot can sometimes be tricky to align. If you are having trouble, try supporting the bottom edge of the Siderail near the bracket and lift it up while you connect the bolts. This can help line up the holes in both brackets so that the bolt can connect easily.

#### **STEP 10**

Make sure the runners are aligned on both sides before pushing the drawer closed. You may find it easier to slide the 'arms' of the runners all the way out from the drawer box – OR, you may find it easier if you push the 'arms' all the way in before trying to align the drawer. When properly aligned the drawer should close halfway without resistance. At the halfway point, if resistance is felt, pull the drawer back out a few centimetres then push closed again. Repeat until drawer closes fully.

#### **GENERAL**

Make sure not to tighten bolts before attaching all components and making sure they sit square. Once you are ready, make sure all bolts are snug, then tighten **only** with  $\frac{1}{4}$  turn of the Allen Key. **DO NOT USE** powered drills as over-tightening can cause components to bow.

### **NOTES**

- Button head bolts should be regularly inspected and may need to be retightened periodically
- **Never drag or move assembled furniture as this may cause damage**

### **CARE & MAINTENANCE**

Your SilverLynx product is crafted with care, properly maintained, it will mature over time developing a rich deep patina enhancing its appearance. To get the best performance from your SilverLynx product, please follow the simple care instructions listed below.

- Do not use silicone based polishes/cleaners at any time.
- Dust surfaces gently with a feather duster then wipe gently with a slightly damp cloth/chamois.
- Do not allow liquids, damp clothes to remain in contact with lacquered surface for extended periods.
- Never place furniture in close proximity to heating outlets.
- Exposure to direct sunlight will cause colour fading to fabrics, leathers and timber finishes.
- Do not allow solvents, abrasives or heated objects to come in contact with the product.
- Do not use cordless drivers or power drills to tighten any bolts, as over-tightening can cause components to bow, and can cause damage to the bolts.

Contact your retailer or our sales office for further information

