

Thank you for purchasing a SilverLynx product

As one of Australia's leading bedroom furniture manufacturers, we have long established partnerships with Australia's most successful retailers.

Customers who buy our products recognise our commitment to quality and customer satisfaction.

SilverLynx is a **values**-based business. Our commitment to quality, evolving design leadership, customer service and exceeding customer expectations - is unsurpassed in the industry.

Enjoy your SilverLynx bed.

SILVER LYNX



AMENDMENT TO INSTRUCTIONS FOR ALL SILVERLYNX BEDS

Assembly Instructions

Please retain these instructions for future reference

**** Use these instructions in place of instructions labelled "spine ULTRA FOUNDATION" ****

Please read through these assembly instructions carefully to ensure that you can assemble your new purchase without stress. These detailed instructions will guide you on how to prepare and assemble your bedroom suite.

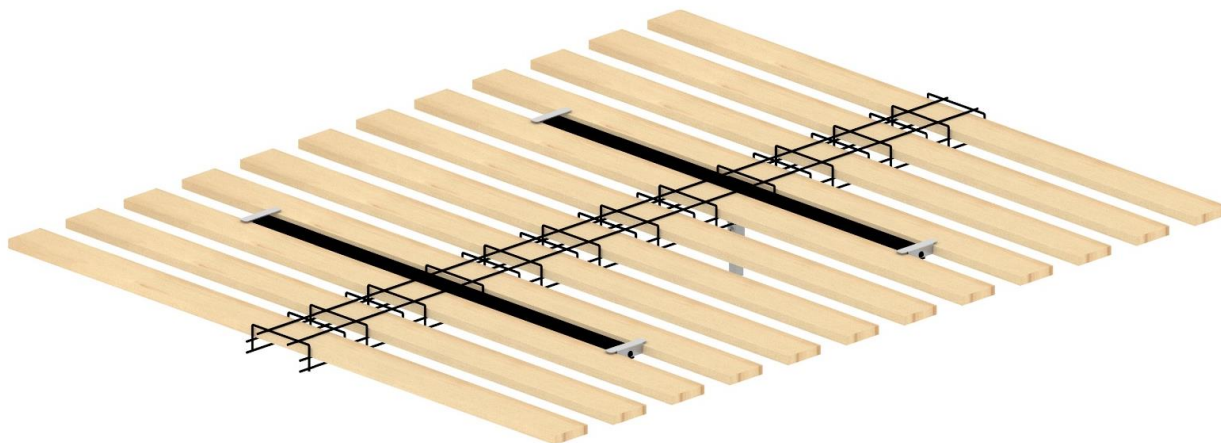
DIFFICULTY

NOVICE One person, no additional equipment	MODERATE Two people, no additional equipment	MODERATE* Two people, additional equipment required	EXPERT Qualified tradesperson recommended
--	--	---	---



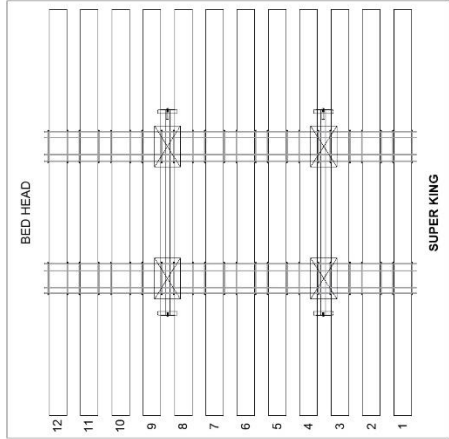
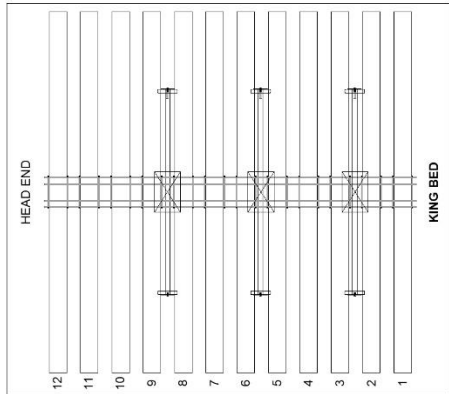
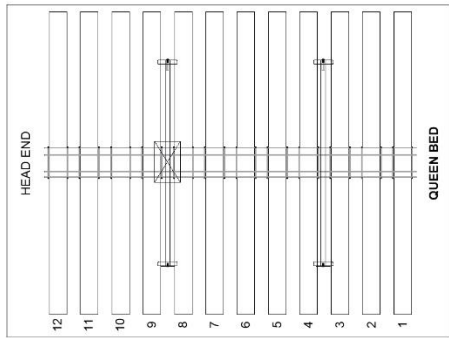
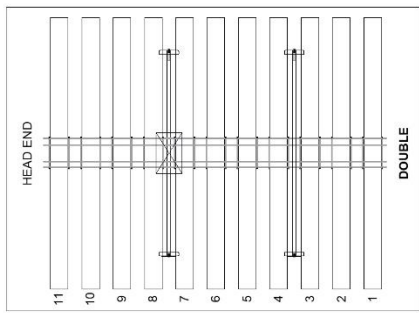
WE ADVISE YOU DO NOT USE POWERED DRILLS TO ASSEMBLE ANY BOLTS ON THIS BED

NOTE: This amendment replaces the instructions that come packaged with the "Spine Ultra Foundation" system. Design and configuration of our beds varies, therefore please use the appropriate configuration suitable to your purchase to correctly position support tubes and support legs.

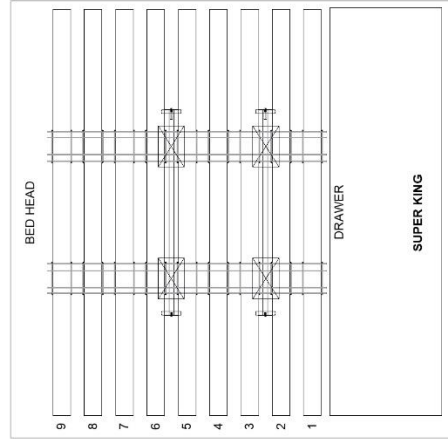
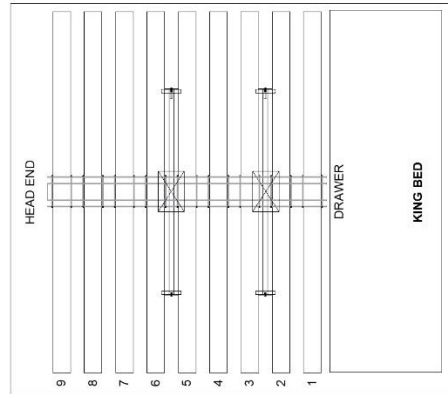
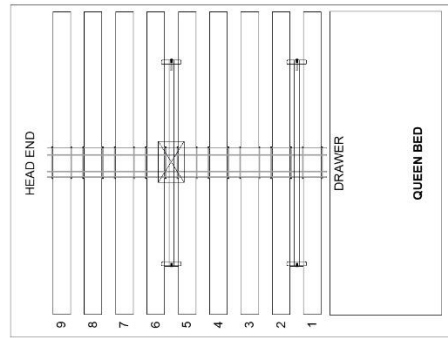
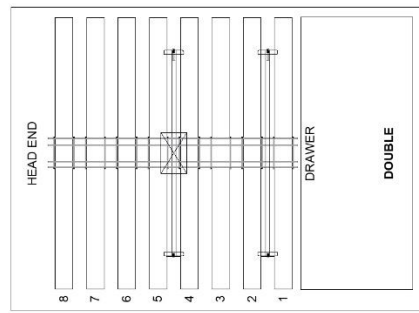


POSITIONING OF LEGS & SUPPORT TUBES FOR BEDS WITH **MATCHING/DOONA FOOT** OR **FLOATING FOOT**

☒ SUPPORT LEG POSITION



☒ SUPPORT LEG POSITION



POSITIONING OF LEGS & SUPPORT TUBES FOR BEDS WITH **DRAWER BASE**



Spine Ultra Foundation Slat System – for SilverLynx Beds

(Super King / King / Queen / Double)

Please use these instructions to assemble the spine system for your SilverLynx Bed and retain for future reference

Your Foundation Slat System comes complete with the following parts:

MATCHING/FLOATING FOOT

SUPER KING

- 12x timber slats (part no.1)
- 2x spines (part no.2)
- 2x support tubes (part no.3)
- 2x end tab kits (incl. bolts) (part no.4)
- 4x support leg (part no.5)

KING

- 12x timber slats (part no.1)
- 1x spine (part no.2)
- 3x support tubes (part no.3)
- 3x end tab kits (incl. bolts) (part no.4)
- 3x support leg (part no.5)

QUEEN

- 12x timber slats (part no.1)
- 1x spine (part no.2)
- 2x support tubes (part no.3)
- 2x end tab kits (incl. bolts) (part no.4)
- 1x support leg (part no.5)

DOUBLE

- 11x timber slats (part no.1)
- 1x spine (part no.2)
- 2x support tubes (part no.3)
- 2x end tab kits (incl. bolts) (part no.4)
- 1x support leg (part no.5)

DRAWER BASE

SUPER KING

- 9x timber slats (part no.1)
- 2x spines (part no.2)
- 2x support tubes (part no.3)
- 2x end tab kits (incl. bolts) (part no.4)
- 4x support leg (part no.5)

KING

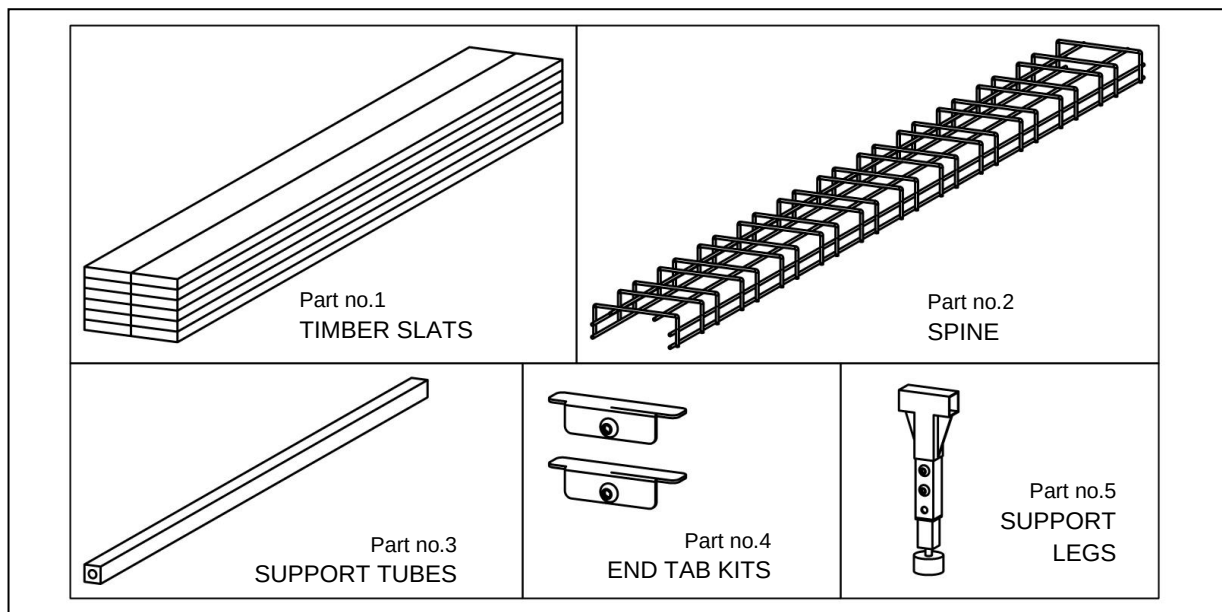
- 9x timber slats (part no.1)
- 1x spine (part no.2)
- 2x support tubes (part no.3)
- 2x end tab kits (incl. bolts) (part no.4)
- 2x support leg (part no.5)

QUEEN

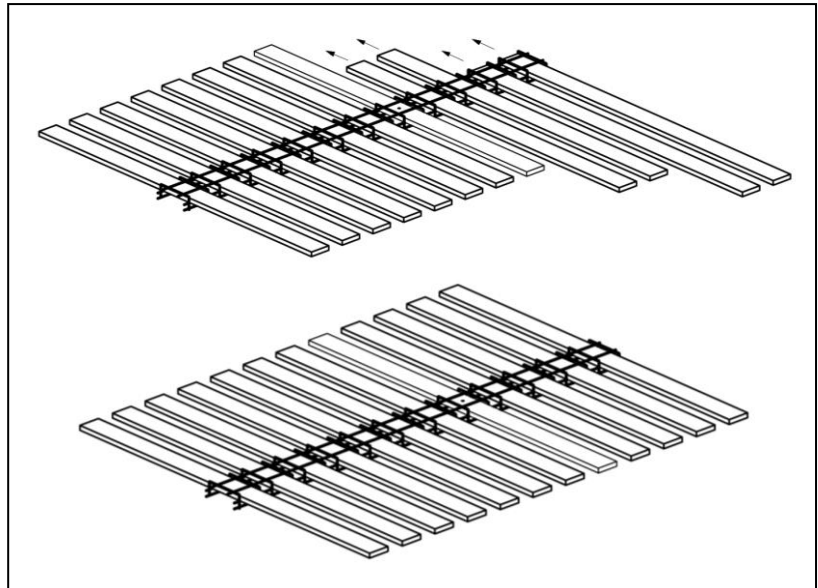
- 9x timber slats (part no.1)
- 1x spine (part no.2)
- 2x support tubes (part no.3)
- 2x end tab kits (incl. bolts) (part no.4)
- 1x support leg (part no.5)

DOUBLE

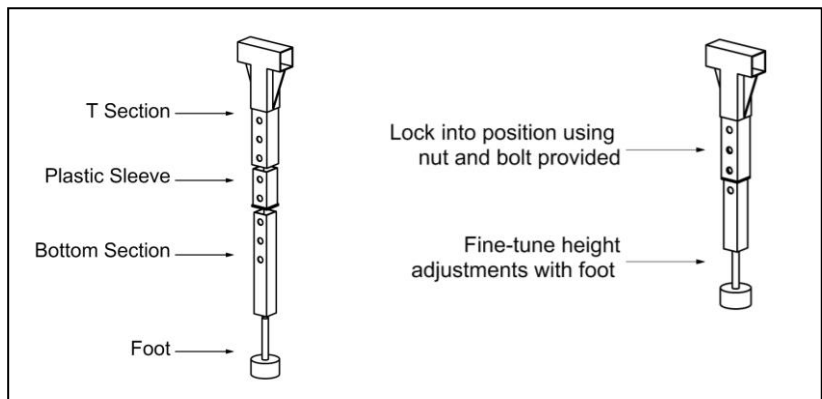
- 8x timber slats (part no.1)
- 1x spine (part no.2)
- 2x support tubes (part no.3)
- 2x end tab kits (incl. bolts) (part no.4)
- 1x support leg (part no.5)



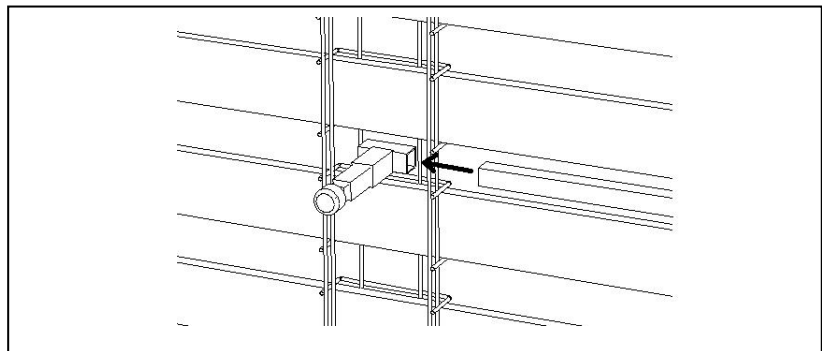
STEP 1 Slide 12 x timber slats through the spine. After all slats have been fitted, position the spine in the middle, as per image below. **OR** for King Size space the 2 spines evenly apart - 1/3 of the width of the slats. Ensure that the slat with a hole in either end is placed at the centre of your bed. This is so the centre slat can be screwed to the side rail.



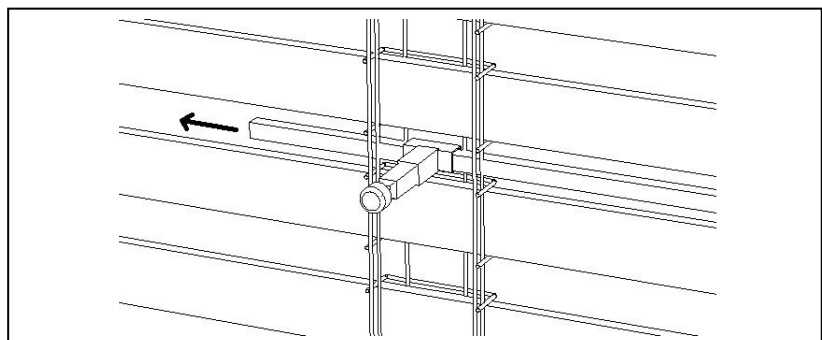
STEP 2 – You will need to prepare your leg/s for the next stage. Roughly set up the support leg height to fit your bed height as shown. You may need to remove the square tube labelled 'bottom section', and flip it around so that the thread for the screw-on foot is at the bottom. Using the bolt and nut provided lock the leg into position. The height can be fine-tuned at the foot once the system is in place (step 7).



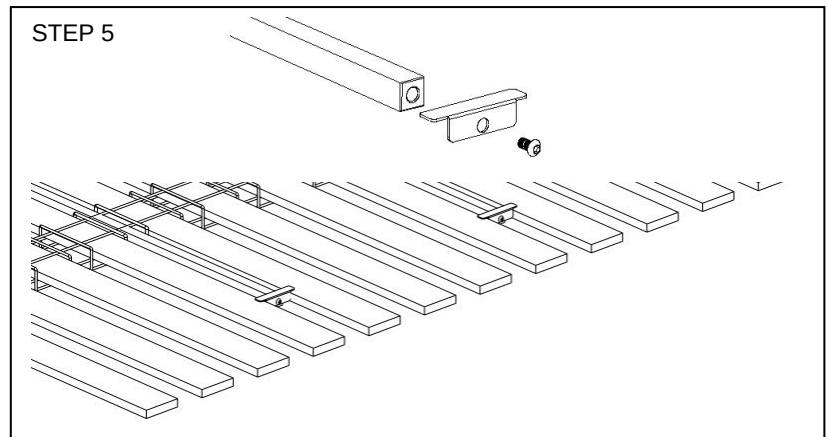
STEP 3 – Slide the support tube(s) through the spine between slats as per the recommendation on the first page of this guide.



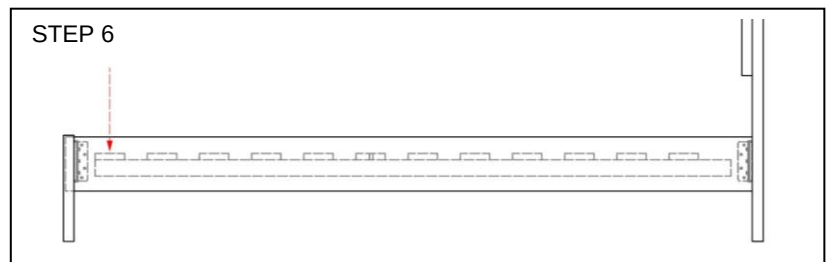
STEP 4 – Be sure to slide the support tube through the support leg at the same time. Ensure the leg is positioned between the spine as per diagram.



STEP 5 – Bolt on an end tab to each end of the support tube. Be sure the flat edge sits on top of the slats.

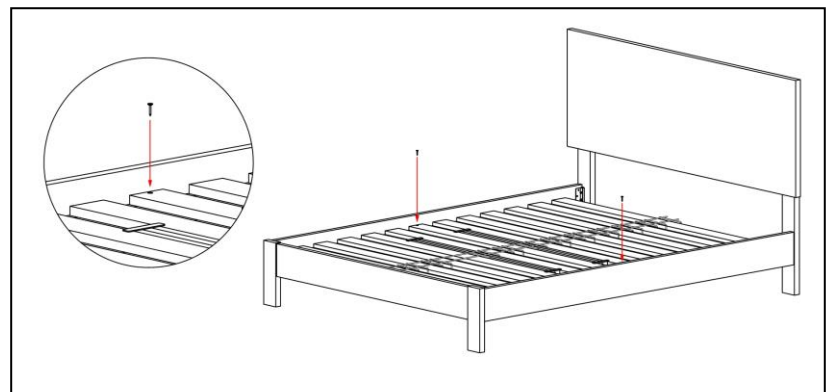


STEP 6 – Position complete foundation system onto the cleats on your bed side rails. Ensure last slat sits flush with the end of the Siderail Cleat at the Foot End as shown.



STEP 7 – Fine tune support leg so it sits approximately about 5 – 15 mm off the floor.

STEP 8 – When finished we recommend that you use the 2 x 1 ¼” screws (supplied) and screw the slat with hole in either end (centre slat) into the cleats



NOTES

- Button head bolts should be regularly inspected and may need to be retightened periodically
- **Never drag or move assembled bed as this may damage the bed**

CARE & MAINTENANCE

Your SilverLynx product is crafted with care, properly maintained, it will mature over time developing a rich deep patina enhancing its appearance. To get the best performance from your SilverLynx product, please follow the simple care instructions listed below.

- Do not use silicone based polishes/cleaners at any time.
- Dust surfaces gently with a feather duster then wipe gently with a slightly damp cloth/chamois.
- Do not allow liquids, damp clothes to remain in contact with lacquered surface for extended periods.
- Never place furniture in close proximity to heating outlets.
- Exposure to direct sunlight will cause colour fading to fabrics, leathers and timber finishes.
- Do not allow solvents, abrasives or heated objects to come in contact with the suite.
- Do not use cordless drivers or power drills to tighten your bed brackets, as over-tightening can cause the foot end rail to bow.

Contact your retailer or our sales office for further information