

Montage Bed – with *Doona or Panel Foot*

Assembly Instructions

Please retain these instructions for future reference

Thank you for purchasing a Silverlynx product

As one of Australia's leading bedroom furniture manufacturers, we have long established partnerships with Australia's most successful retailers.

Customers who buy our products recognise our commitment to quality and customer satisfaction.

Silverlynx is a value's based business. Our commitment to quality, evolving design leadership, customer service and exceeding customer expectations - is unsurpassed in the industry.

Enjoy your Silverlynx bed.

Please read through your assembly instructions carefully to ensure that you can assemble your new purchase without stress. You have been provided with detailed instructions on how to prepare and assemble your bedroom suite.

Montage [Doona Foot OR Panel Foot Bed]

NOTE – it is recommended that two people assemble this bed

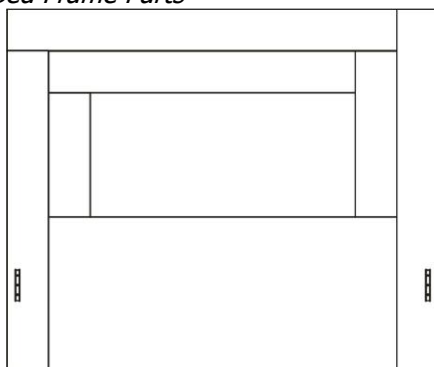
WE ADVISE YOU DO NOT USE POWERED DRILLS TO ASSEMBLE ANY PART OF THIS BED

To assemble your bed you have been supplied with

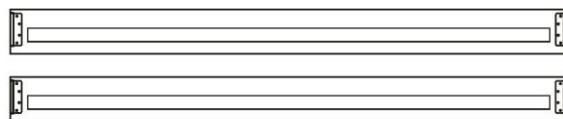
Hardware Pack containing

12x (M4) 10mm button head bolts; 2x 38mm screws; 1x allen key

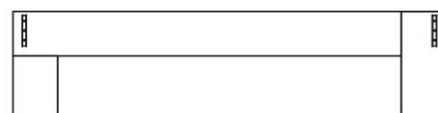
Bed Frame Parts



Bed Head



2x Side Rails



Foot*

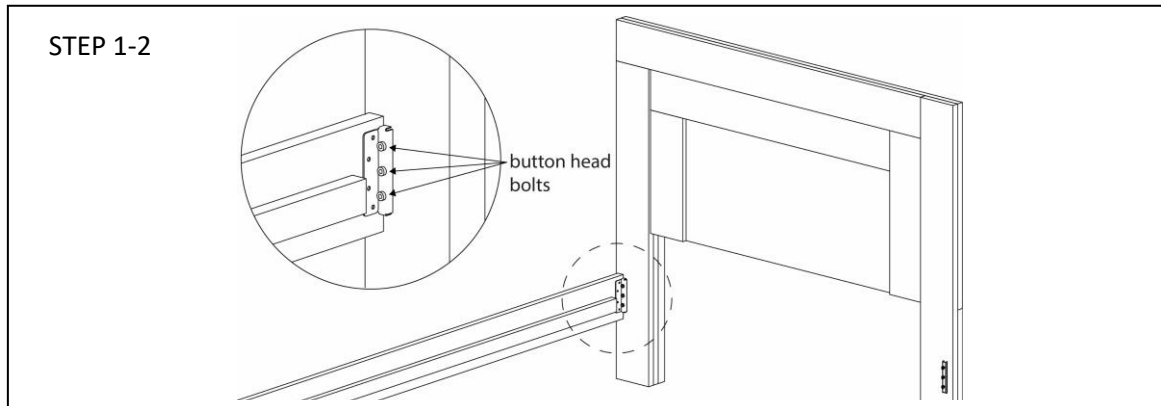
*Pictured is the Mosaic X Doona Foot. These instructions will also apply for the Mosaic X Panel Foot

Slat System

See the attached document "Amendment to instructions for all Silverlynx beds".

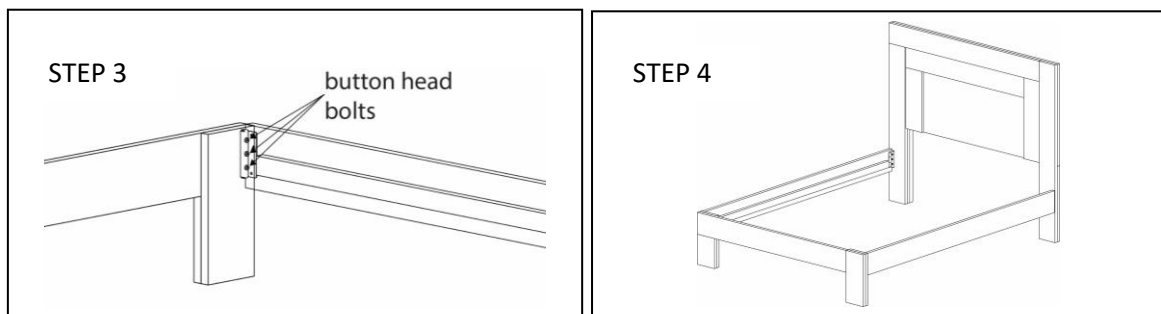
STEP 1 –Position Bedhead and Side Rails approximately where your bed is to be set up. Connect the Side Rails to the Bedhead by hooking the side rail brackets onto the head brackets.

STEP 2 – Screw three button head bolts (M4) into the position shown below to connect the side rails to the bed head and tighten (finger tight only).



STEP 3 – Complete the above process on the other side rail, then repeat with the foot panel.

STEP 4 – Ensure that the bed is sitting square and then tighten all button head bolts using the allen key provided. Once snug, tighten only with ¼ turn of the Allen Key. **DO NOT USE** cordless drivers or power drills as over-tightening can cause the foot end rail to bow.



STEP 5 – To set up the slat and spine system, proceed to the instructions titled "Amendment to instructions for all Silverlynx beds". Note the 2x 38mm screws provided in the hardware pack can be used in this section of the assembly.

NOTES

- Button head bolts should be regularly inspected and may need to be retightened periodically.
- **Never drag or move assembled bed as this may damage the bed**

CARE & MAINTENANCE

Your Silver Lynx product is crafted with care, properly maintained, it will mature over time developing a rich deep patina enhancing its appearance. To get the best performance from your Silver Lynx product, please follow the simple care instructions listed below.

- Do not use silicone based polishes/cleaners at any time.
- Dust surfaces gently with a feather duster then wipe gently with a slightly damp cloth/chamois.
- Do not allow liquids, damp cloths to remain in contact with lacquered surface for extended periods.
- Never place furniture in close proximity to heating outlets.
- Exposure to direct sunlight will cause colour fading to fabrics, leathers and timber finishes.
- Do not allow solvents, abrasives or heated objects to come in contact with the suite.
- Do not use cordless drivers or power drills to tighten your bed brackets, as over-tightening can cause the foot end rail to bow.

Contact your retailer or our sales office for further information