

Memphis Bed – with *Drawer Base*

Assembly Instructions

Please retain these instructions for future reference

Thank you for purchasing a Silverlynx product

As one of Australia's leading bedroom furniture manufacturers, we have long established partnerships with Australia's most successful retailers.

Customers who buy our products recognise our commitment to quality and customer satisfaction.

Silverlynx is a value's based business. Our commitment to quality, evolving design leadership, customer service and exceeding customer expectations - is unsurpassed in the industry.

Enjoy your Silverlynx bed.

Please read through your assembly instructions carefully to ensure that you can assemble your new purchase without stress. You have been provided with detailed instructions on how to prepare and assemble your bedroom suite.

Memphis [Drawer Base Bed]

NOTE – it is recommended that two people assemble this bed

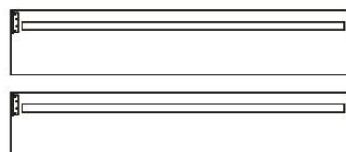
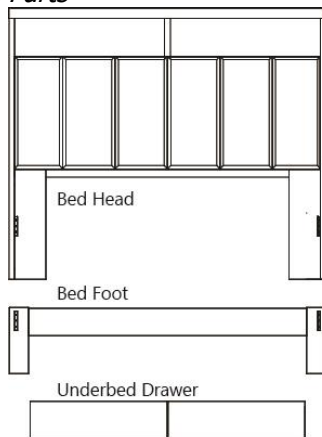
WE ADVISE YOU DO NOT USE POWERED DRILLS TO ASSEMBLE ANY PART OF THIS BED

To assemble your bed you have been supplied with

Hardware Pack containing

12x (M4) 10mm button head bolts; 2x 38mm screws; 6x 15mm screws; 1x allen key

Bed Frame Parts



2x Side Rails
(Full height with
drawer base)



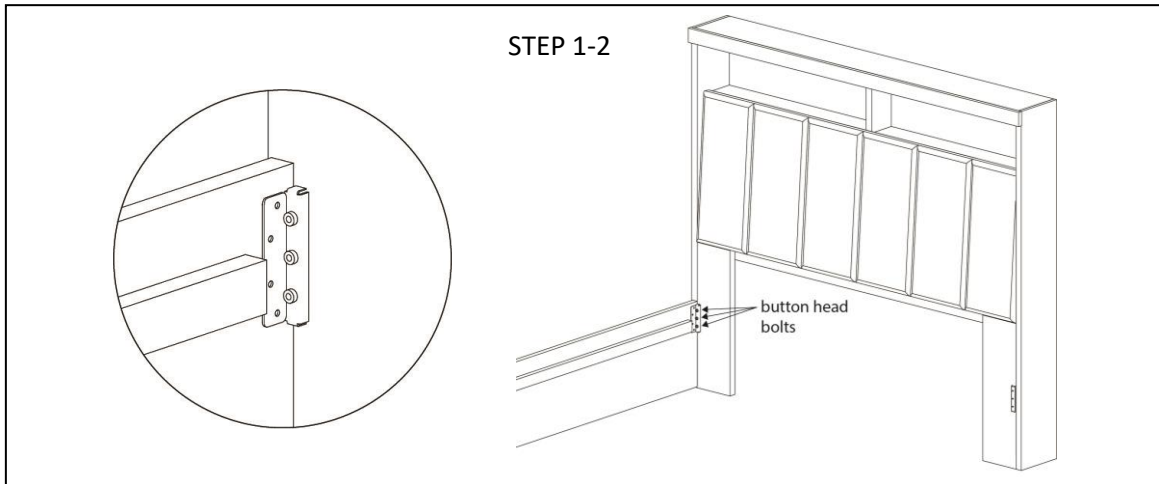
You **may** have
2x Bedside
with Bedside
storage Hutch

Slat System

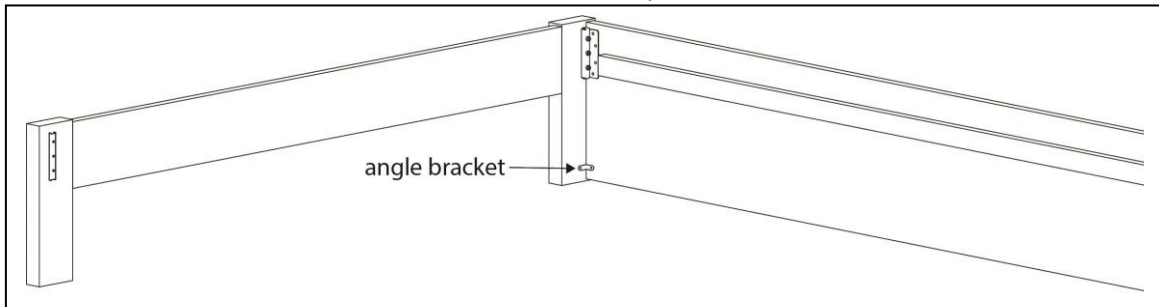
See the attached document "Amendment to instructions for all Silverlynx beds".

STEP 1 – Place your bed head and side rails approximately where you would like your bed to be set up. Connect the side rails to the bed head by hooking the side rail brackets onto the head brackets.

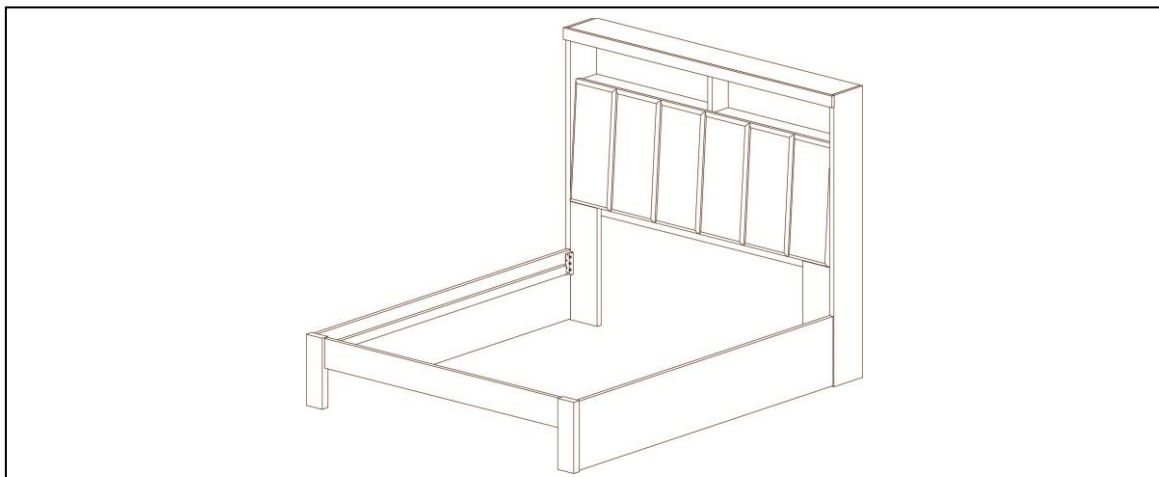
STEP 2 – Screw three button head bolts (M4) into the position shown below to connect the side rails to the bed head and tighten (finger tight only).



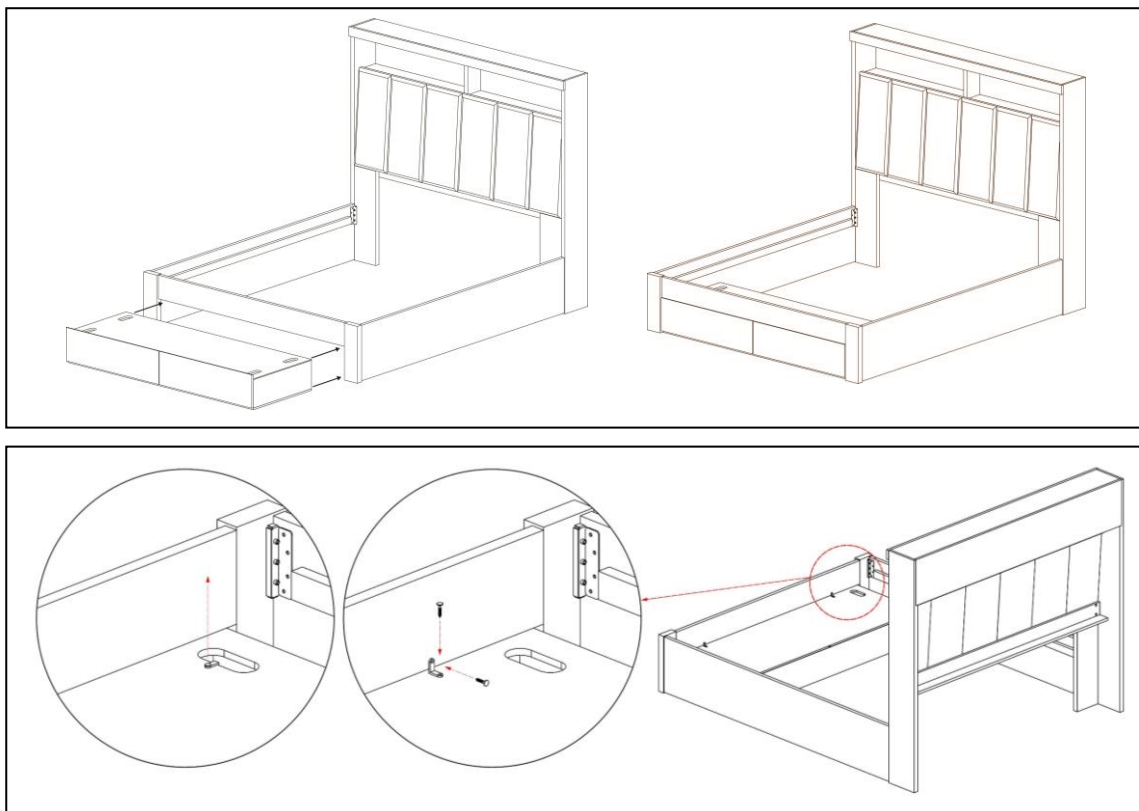
STEP 3 – Complete the above process on the other side rail and then repeat on the foot end. There is also a small angle bracket installed near the bottom ends of your siderails. You can use the 4x 15mm screws to secure these to the bottom of your head / foot end.



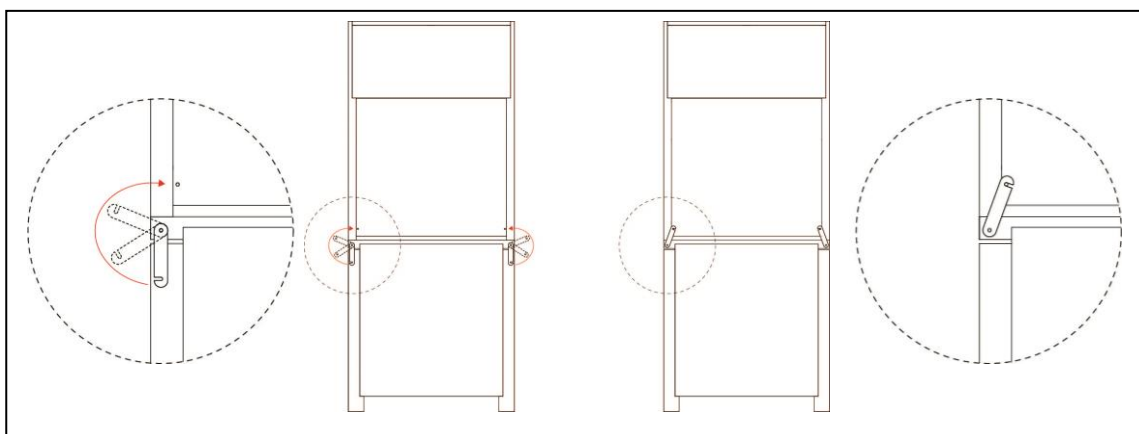
STEP 4 – Ensure that the bed is sitting square and then tighten all button head bolts using the allen key. Once snug, tighten only with ¼ turn of the Allen Key. DO NOT USE cordless drivers or power drills as over-tightening can cause the foot end rail to bow. After this step your bed should look like the diagram below.



STEP 5 – Carefully slide your underbed drawer under the foot end rail as shown below. We recommend leaving a small gap between the back of your drawer fronts and your foot end rail. There is an option to fix your underbed drawer to your bedframe using the additional fixing brackets and screws supplied. Unscrew brackets from their transport position on top of your underbed drawer. Position brackets against the top of the drawer box and the back of the foot end and fix in place with the screws provided.



STEP 6 – If you have purchased your bed with the bedside storage hutch & bedside, move your bed sides beside your bedhead approximately where you would like them to be set up (make sure you can still access the back). Place the hutch on top of the bedside so they are flush at the back. There is a connecting hook secured with a screw on each side of the bedside and a screw on the back of the hutch to act as a catch. Loosen the screws enough to swing the hook to latch onto the catch screw as shown in the diagrams below. Tighten screws to secure in place.



STEP 7 – Once latched, carefully move your bedside and hutch into place beside your bedhead.



STEP 8 – To set up the slat and spine system, proceed to the instructions titled “Amendment to instructions for all Silverlynx beds”. Note the 2x 38mm screws provided in the hardware pack can be used in this section of the assembly.

NOTES

- Button head bolts should be regularly inspected and may need to be retightened periodically
- **Never drag or move assembled bed as this may damage the bed**

CARE & MAINTENANCE

Your Silver Lynx product is crafted with care, properly maintained, it will mature over time developing a rich deep patina enhancing its appearance. To get the best performance from your Silver Lynx product, please follow the simple care instructions listed below.

- Do not use silicone based polishes/cleaners at any time.
- Dust surfaces gently with a feather duster then wipe gently with a slightly damp cloth/chamois.
- Do not allow liquids, damp clothes to remain in contact with lacquered surface for extended periods.
- Never place furniture in close proximity to heating outlets.
- Exposure to direct sunlight will cause colour fading to fabrics, leathers and timber finishes.
- Do not allow solvents, abrasives or heated objects to come in contact with the suite.
- Do not use cordless drivers or power drills to tighten your bed brackets, as over-tightening can cause the foot end rail to bow.

Contact your retailer or our sales office for further information