

Lincoln Bed

Assembly Instructions

Please retain these instructions for future reference

Thank you for purchasing a Silverlynx product

As one of Australia's leading bedroom furniture manufacturers, we have long established partnerships with Australia's most successful retailers.

Customers who buy our products recognise our commitment to quality and customer satisfaction.

Silverlynx is a value's based business. Our commitment to quality, evolving design leadership, customer service and exceeding customer expectations - is unsurpassed in the industry.

Enjoy your Silverlynx bed.

Please read through your assembly instructions carefully to ensure that you can assemble your new purchase without stress. You have been provided with detailed instructions on how to prepare and assemble your bedroom suite.

Lincoln

NOTE – two to three people are required to assemble this bed

WE ADVISE YOU DO NOT USE POWERED DRILLS TO ASSEMBLE ANY PART OF THIS BED

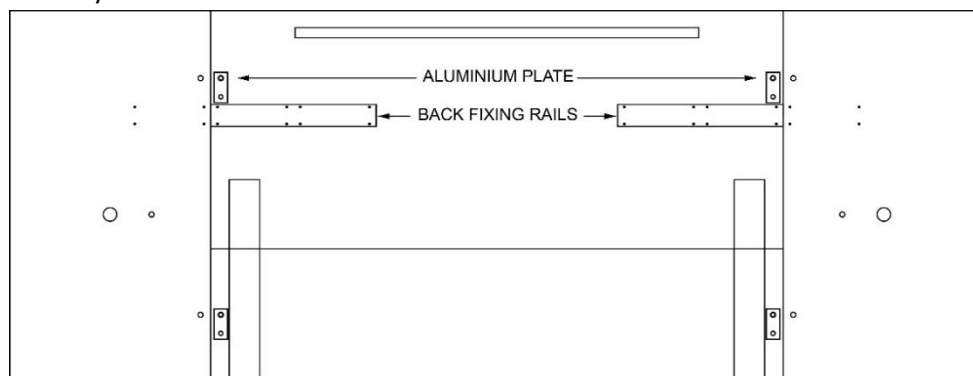
To assemble your bed you have been supplied with

12x button head bolts; **14x** 32mm screws; **1x** allen key

**If you have purchased your bed WITHOUT the extended bed head, you can go straight to Step 9*

STEP 1 – Assemble the bed back section (2x bedside tables and 1x bed head)

Identify the left and right side bedside tables. Position your bed head and bedside/extension panels so they are close to their final position but leave enough space behind to access the back during assembly.



BACK VIEW - PRE ASSEMBLY STAGE

STEP 2 – Move one of the bedside/extension panels into position against bed head. **MAKE SURE YOU UNSCREW THE TRANSPORT LEG FROM UNDERNEATH THE BEDSIDE TABLE BEFORE THE NEXT STEP** (turn leg anti-clockwise)!

STEP 3 – *Positioning the aluminium plates*

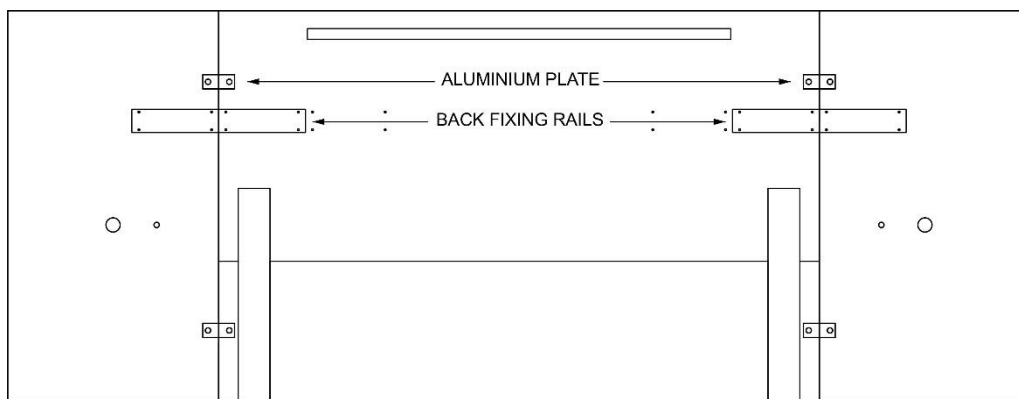
From the back of the bed head, remove two black M8 16mm bolts from the bedside/extension panel and loosen the two black M8 16mm bolts holding the aluminium plates to the bedhead – just enough so the plates can be rotated.

STEP 4 – Turn the aluminium plates 90 degrees so that the holes align with the holes on the bedside/extension panel. Secure the plates on the bedside/extension panel using the two black M8 16mm bolts you removed in step 3. Make sure bedside/extension panel is sitting hard against bed head. **NOTE – If the floor is uneven you may have to use packers to level your bed.**

STEP 5 – *Positioning the back fixing rail*

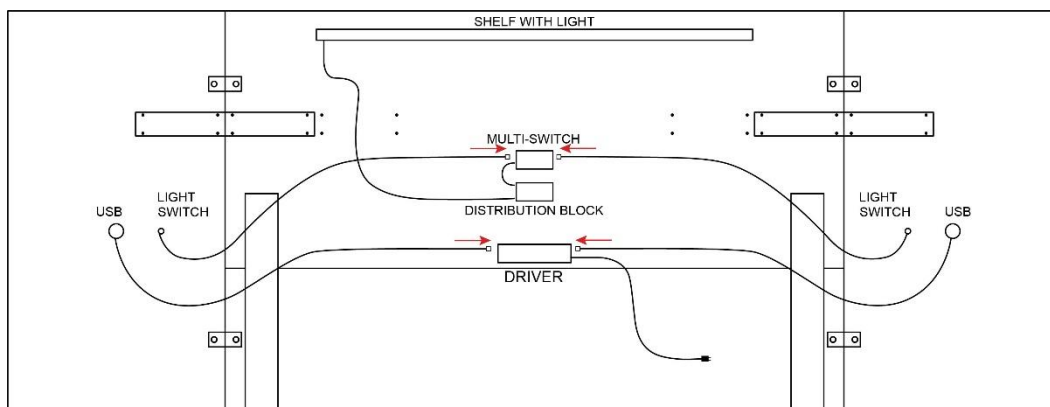
Remove the back fixing rail from the bed head by removing the screws. Position it so it overlaps the bed head and bedside/extension panel evenly, using pre-drilled holes to guide position. Secure rail to both bedside/extension panel and bed head using the 32mm screws

STEP 6 – Repeat steps 2-5 for the other bedside table. Your assembled bed (back section) should look like this



BACK VIEW - ASSEMBLED BED BACK SECTION

STEP 7 – If you have purchased your bedside with USB ports and/or light switches, you will need to connect the cables from the bedside to the units on the back of the bed head as per the following diagram. Cables and matching outlets are coded with matching coloured stickers to show correct location. **NOTE – you will not be able to plug your components into the incorrect place as they will not fit. DO NOT plug into the wall until after the cables are in place.**



BACK VIEW - LIGHT & USB INSTALLATION

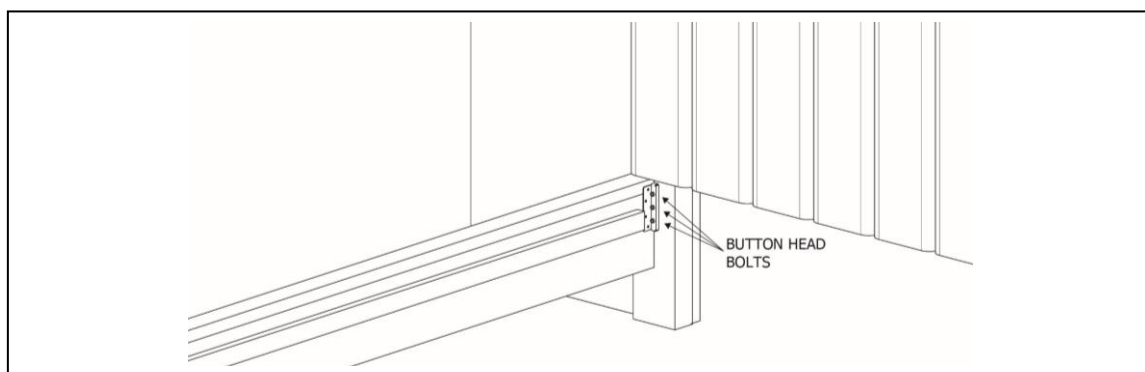
STEP 8 – WARNING: HEAVY LIFTING - two or three people required

Lift the bed back section slightly off the floor (lifting from the bed head) and carefully move it towards the wall. **DO NOT DRAG YOUR BED.** If you used packers in step 4 you may need to re-position them to make sure your bedhead and bedside/extension panels are even. Ensure that bedside/extension panels remain in line with bed head at all times during this process!

STEP 9 – Connecting side rails to the bed head and bed foot

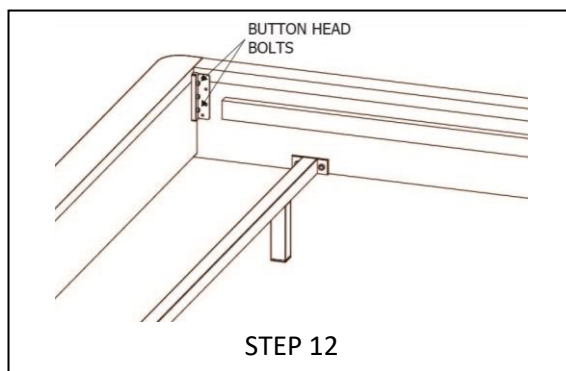
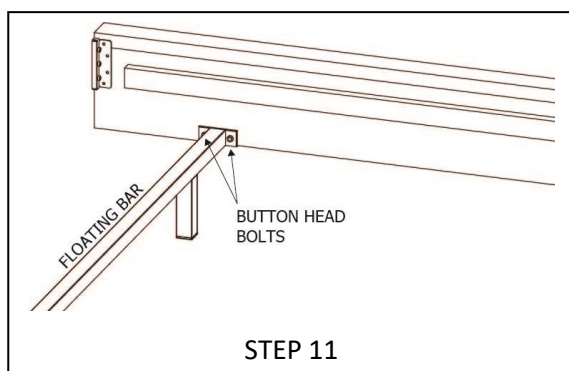
Place the side rails and foot end rail roughly in position in front of your bed head. Note, if you have purchased the *Floating Base* option, you will need to position the side rails so that the two button head bolts (already attached to the side rail) are closer to the foot end of your bed. This is where the *Floating Bar* will go.

STEP 10 – Hook the bracket attached to the side rail over the front of the bracket on the bed head. Screw three button head bolts loosely into place. Repeat with other side rail, and tighten the bolts (finger tight only).



**If you do not have a Floating Base, proceed to Step 13*

STEP 11 – Remove the two button head bolts for the Floating Bar from the foot end of each side rail. Gently lift the base frame and position the Floating Bar into position. Note – holes on each end of the Floating Bar must line up with the holes on the side rails. Using the button head bolts secure (finger tight only) the Floating Bar in place.



STEP 12 – Attach bed foot onto side rails using the same method as in step 10.

STEP 13 – Ensure that the bed is sitting square and then tighten all button head bolts using the allen key. Once snug, tighten only with ¼ turn of the Allen Key. **DO NOT USE** cordless drivers or power drills as over-tightening can cause the foot end rail to bow.

STEP 14 – To set up your slat and spine system, proceed to "Amendment To Instructions For All Silverlynx Beds".

NOTES

- Button head bolts should be regularly inspected and may need to be retightened periodically
- **Never drag or move assembled bed as this may damage the bed**

CARE & MAINTENANCE

Your Silver Lynx product is crafted with care, properly maintained, it will mature over time developing a rich deep patina enhancing its appearance. To get the best performance from your Silver Lynx product, please follow the simple care instructions listed below.

- Do not use silicone based polishes/cleaners at any time.
- Dust surfaces gently with a feather duster then wipe gently with a slightly damp cloth/chamois.
- Do not allow liquids, damp clothes to remain in contact with lacquered surface for extended periods.
- Never place furniture in close proximity to heating outlets.
- Exposure to direct sunlight will cause colour fading to fabrics, leathers and timber finishes.
- Do not allow solvents, abrasives or heated objects to come in contact with the suite.
- Do not use cordless drivers or power drills to tighten your bed brackets, as over-tightening can cause the foot end rail to bow.

Contact your retailer or our sales office for further information