

Lincoln 4 Poster Bed

Assembly Instructions

Please retain these instructions for future reference

Thank you for purchasing a Silverlynx product

As one of Australia's leading bedroom furniture manufacturers, we have long established partnerships with Australia's most successful retailers.

Customers who buy our products recognise our commitment to quality and customer satisfaction.

Silverlynx is a value's based business. Our commitment to quality, evolving design leadership, customer service and exceeding customer expectations - is unsurpassed in the industry.

Enjoy your Silverlynx bed.

Please read through your assembly instructions carefully to ensure that you can assemble your new purchase without stress. You have been provided with detailed instructions on how to prepare and assemble your bedroom suite.

Lincoln 4 Poster Bed

NOTE – two people are required to assemble this bed

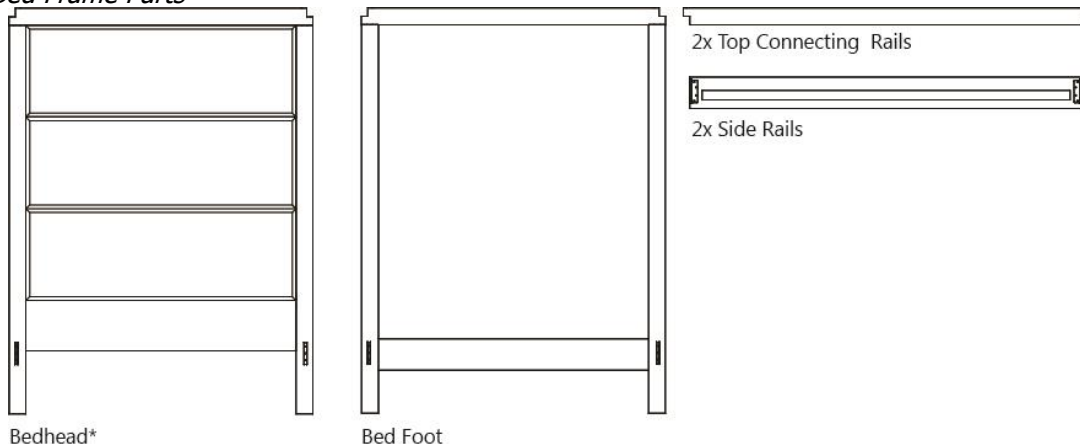
WE ADVISE YOU DO NOT USE POWERED DRILLS TO ASSEMBLE ANY PART OF THIS BED

To assemble your bed you have been supplied with

Hardware Pack containing

12x (M4) 10mm button head bolts; 4x 110mm bolts; 2x 38mm screws; 2x allen key

Bed Frame Parts



Bedhead*

Bed Foot

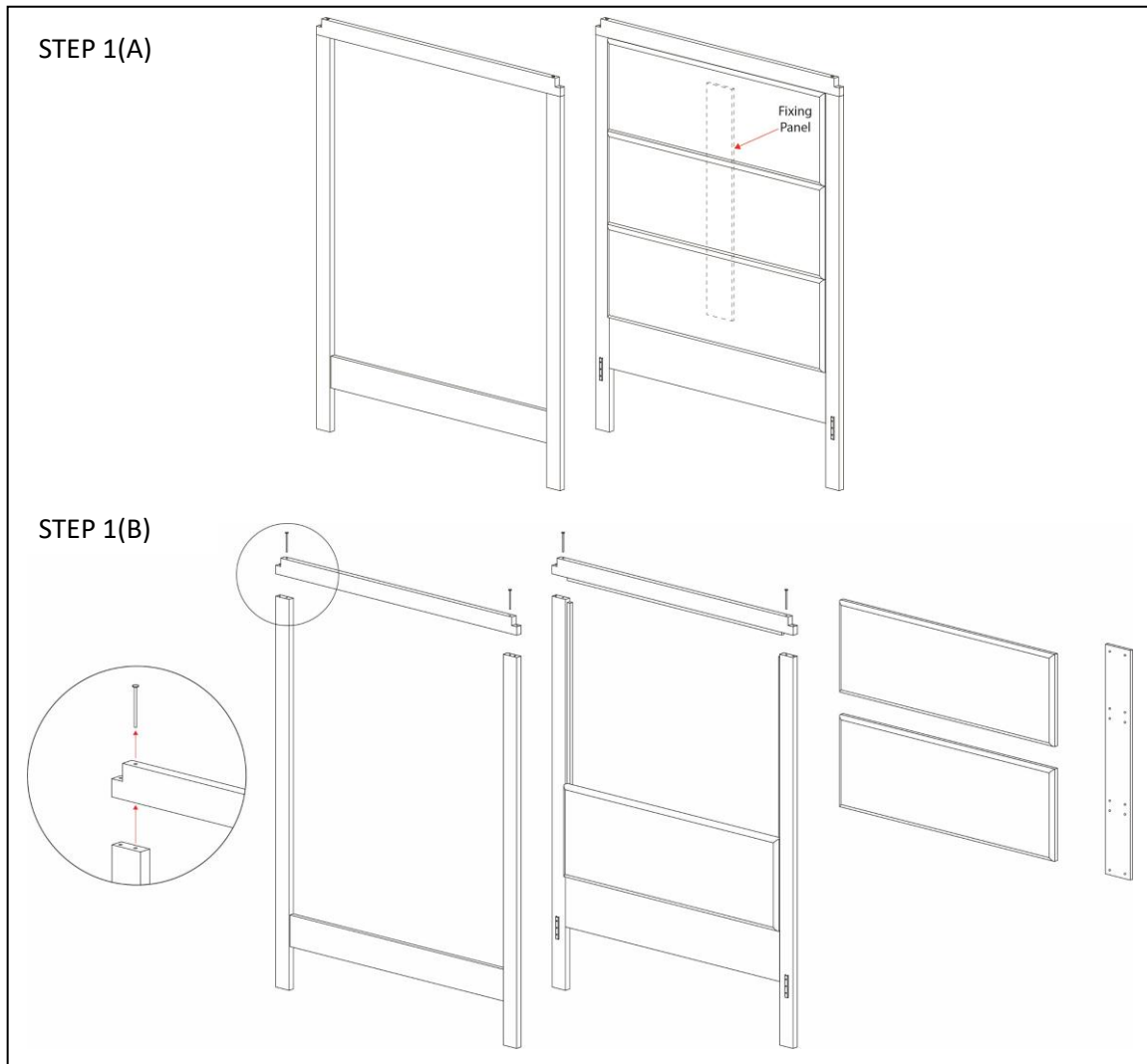
*Please note your Bedhead may look different to the above, however the following instructions will still apply

Slat System

See the attached document "Amendment to instructions for all Silverlynx beds".

NOTE: The Lincoln 4 Poster has been shipped as shown on the first page, however, the Bedhead and Foot can be partially knocked-down to assist delivery through tight spaces if needed. If you are going to partially knock-down your bed before setup, please start at STEP 1. If your bed can be delivered without knocking-down, please proceed to STEP 3.

STEP 1 – (A) If you have purchased the Full Height Upholstered Bedhead, first remove the fixing panel and the top two upholstered panels from the back of the Bedhead by removing the screws as necessary. NOTE - we recommend that you DO NOT remove the bottom upholstered panel. (B) Next (or first for all other styles), remove the top capping from the Bedhead and Foot by loosening the bolts as shown below using the small allen key provided.



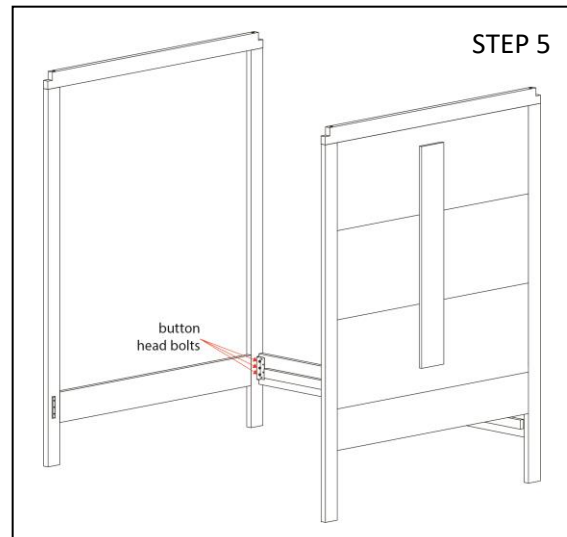
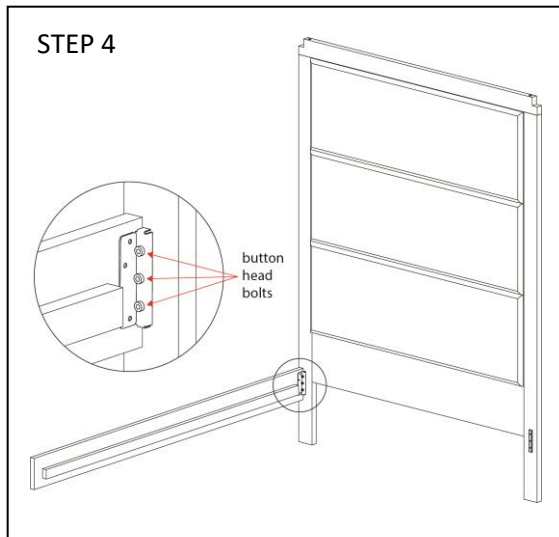
MEMPHIS_2 PIECE
HEAD_Assembly inst

STEP 2 – Move your components into the space where they are to be set up. Re-fit the top capping on the head and foot. Bolts should be wound in firmly but not overtight. Re-fit the two upholstered panels and the fixing panel.

STEP 3 – Place your Bedhead and Side Rails approximately where you would like your bed to be set up. Connect the Side Rail to the Bedhead by hooking the side rail brackets onto the head brackets.

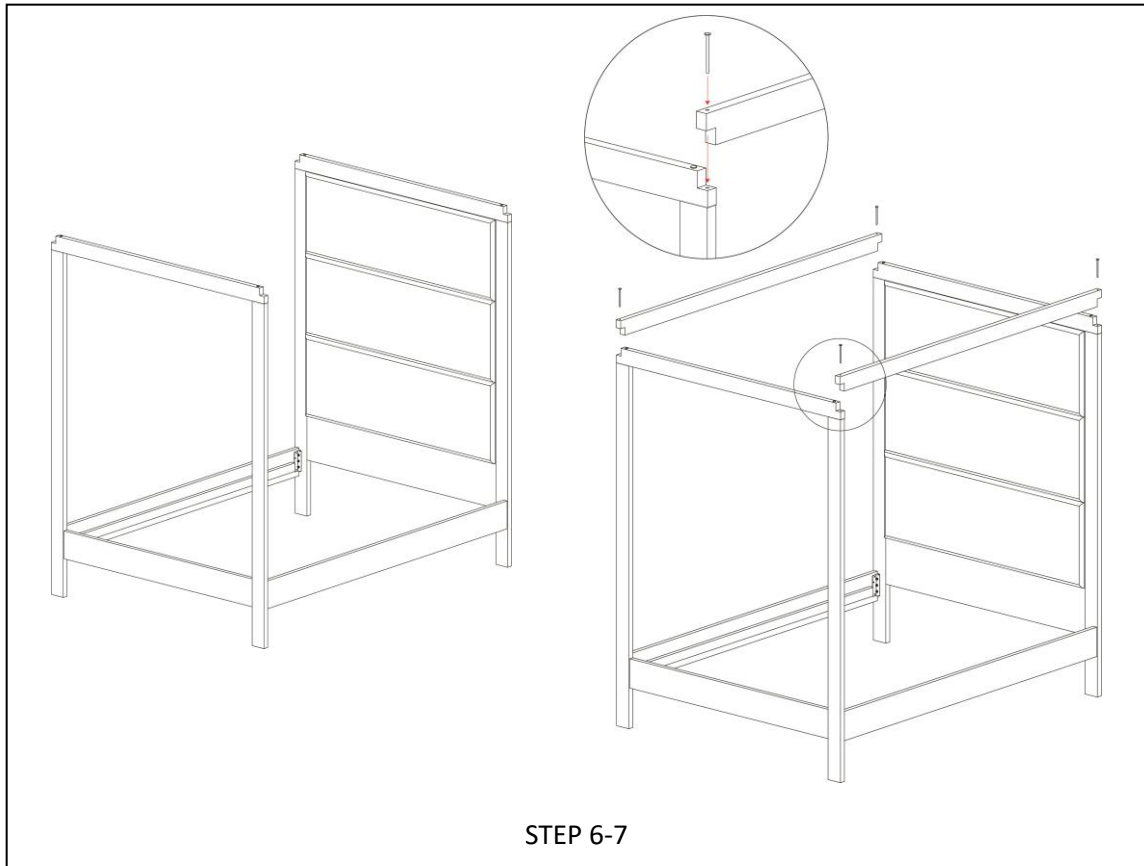
STEP 4 – Screw three button head bolts (M4) into the position shown below to connect the Side Rail to the Bedhead and tighten (finger tight only).

STEP 5 – Complete the above process on the other Side Rail, then repeat with the Foot Panel.



STEP 6 – Ensure that the bed is sitting square and then tighten all button head bolts using the large allen key. Once snug, tighten only with ¼ turn of the Allen Key. DO NOT USE cordless drivers or power drills as over-tightening can cause the foot end rail to bow.

STEP 7 – Fit your Top Connecting Rails using the 4x 110mm bolts and the small allen key provided. Bolts should be wound in firmly but not overtight. After this step your bed should look like the diagram on the next page.





STEP 8 – To set up your slat and spine system, proceed to “Amendment To Instructions For All Silverlynx Beds”. Note the 2 x 38mm screws provided in your hardware pack can be used in this section of the assembly.

NOTES

- Button head bolts should be regularly inspected and may need to be retightened after a period of time.
- **Never drag or move assembled bed as this may damage the bed**

CARE & MAINTENANCE

Your Silver Lynx product is crafted with care, properly maintained, it will mature over time developing a rich deep patina enhancing its appearance. To get the best performance from your Silver Lynx product, please follow the simple care instructions listed below.

- Do not use silicone based polishes/cleaners at any time.
- Dust surfaces gently with a feather duster then wipe gently with a slightly damp cloth/chamois.
- Do not allow liquids or damp cloths to remain in contact with lacquered surface for extended periods.
- Never place furniture in close proximity to heating outlets.
- Exposure to direct sunlight will cause colour fading to fabrics, leathers and timber finishes.
- Do not allow solvents, abrasives or heated objects to come in contact with the suite.
- Do not use cordless drivers or power drills to tighten your bed brackets, as over-tightening can cause the foot end rail to bow.

Contact your retailer or our sales office for further information