

## Gallery Bed – with *Slimline Base*

### Assembly Instructions

*Please retain these instructions for future reference*

#### Thank you for purchasing a Silverlynx product

As one of Australia's leading bedroom furniture manufacturers, we have long established partnerships with Australia's most successful retailers.

Customers who buy our products recognise our commitment to quality and customer satisfaction.

Silverlynx is a value's based business. Our commitment to quality, evolving design leadership, customer service and exceeding customer expectations - is unsurpassed in the industry.

Enjoy your Silverlynx bed.

Please read through your assembly instructions carefully to ensure that you can assemble your new purchase without stress. You have been provided with detailed instructions on how to prepare and assemble your bedroom suite.

#### Gallery [Slimline Base Bed]

*NOTE – two people are required to assemble this bed*

**WE ADVISE YOU DO NOT USE POWERED DRILLS TO ASSEMBLE ANY PART OF THIS BED**

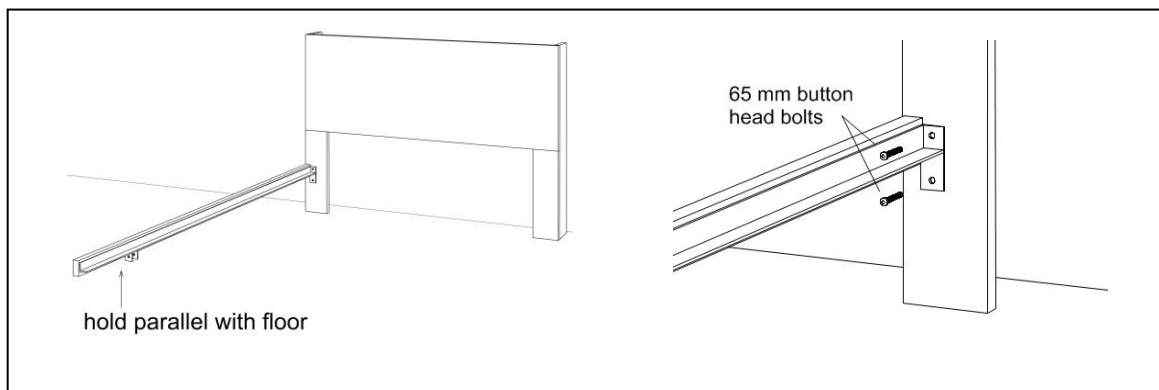
To assemble your bed you have been supplied with

**4x 65mm button head bolts; 2x 50mm button head bolts; 2x 16mm button head bolts;**

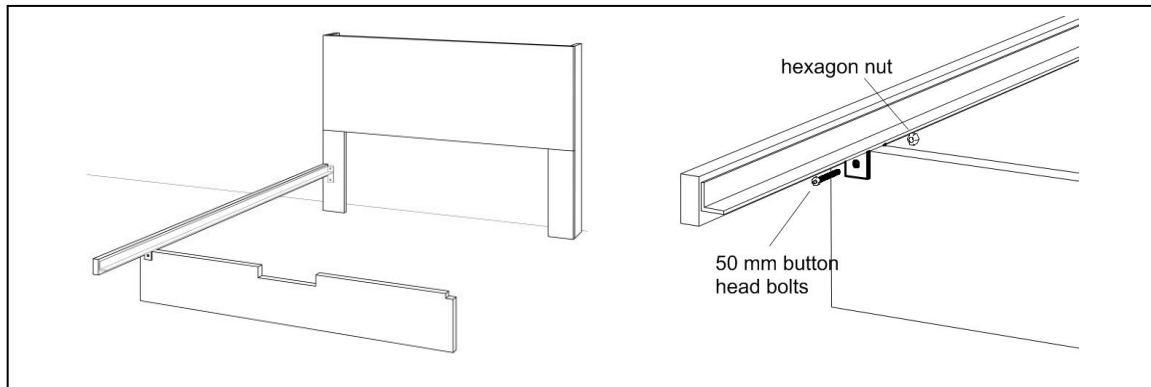
**4x hexagon nuts; 1x allen key**

#### **STEP 1 – Attaching the Side Rails to the Bed Head**

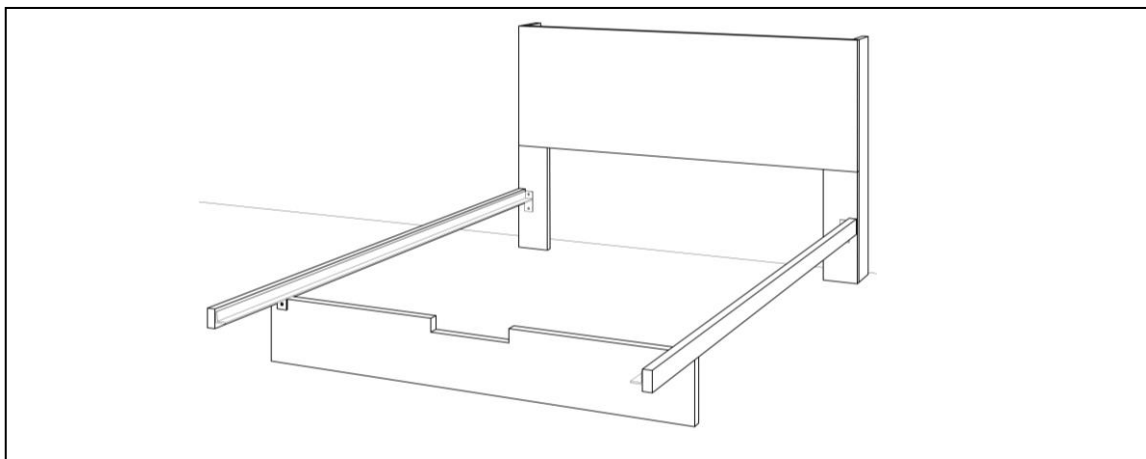
Connect one side rails to the bed head using 2x 65 mm button head bolts. (One person should hold side rail parallel with the floor at the front end while other person is fitting it to bed head).



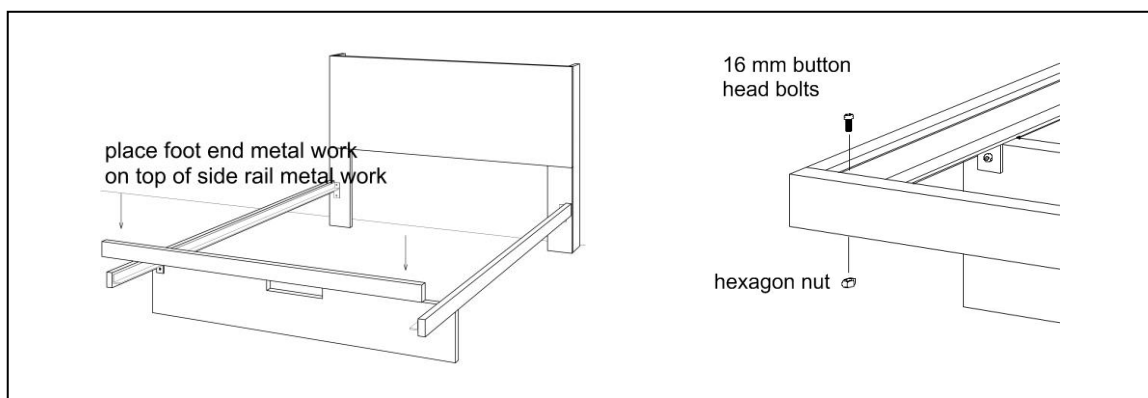
**STEP 2** – Place support rail under the side rail as per diagram below. Line up holes on support panel and side rail metal frame and secure it using 1x 50 mm button head bolt and 1x hexagon nut. (only finger tight)

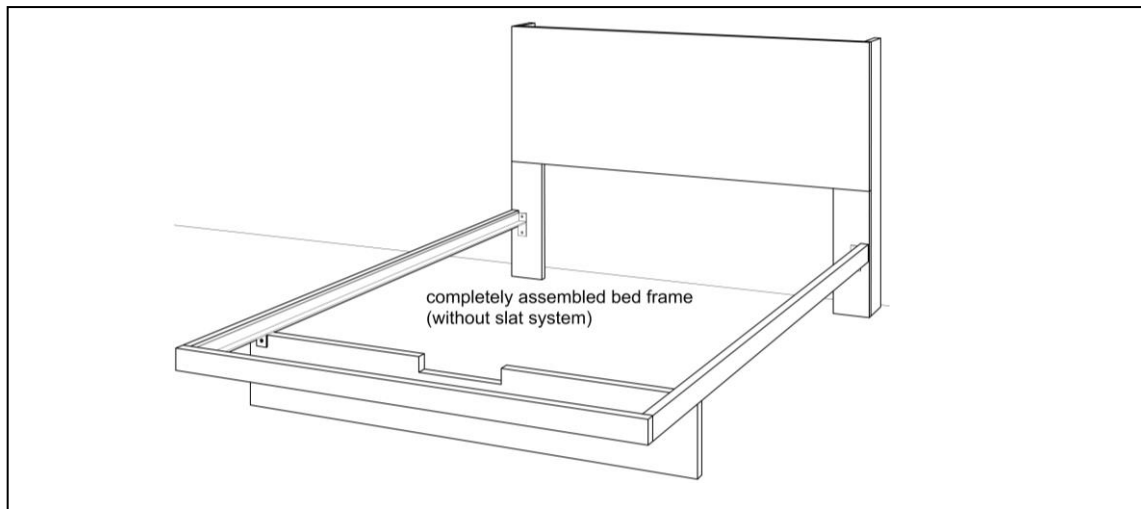


**STEP 3** – Repeat steps 1.) and 2.) for other side rail (note: this time you can rest side rail on the support panel while fitting it to bed head). After this step your bed should look like diagram below.



**STEP 4** – Attach foot end to side rails so that foot end metal work sitting on top and in between the side rails metal work. Line up holes on both metal frames and secure it using 2x 16mm button head bolts and 2x hexagon nuts making sure there are no gaps between foot end and side rails.





**STEP 5** – Ensure that the bed is sitting square and then tighten all button head bolts using the allen key. Once snug, tighten only with ¼ turn of the Allen Key. **DO NOT USE** cordless drivers or power drills as over-tightening can cause the foot end rail to bow.

**STEP 6** – To properly set up the slat and spine system (foundation system – King, Queen and Double size Beds), proceed to “Amendments to Instructions for all SilverLynx Beds”.

## NOTES

- Button head bolts should be regularly inspected and may need to be retightened periodically
- **Never drag or move assembled bed as this may damage the bed**

## CARE & MAINTENANCE

Your Silver Lynx product is crafted with care, properly maintained, it will mature over time developing a rich deep patina enhancing its appearance. To get the best performance from your Silver Lynx product, please follow the simple care instructions listed below.

- Do not use silicone based polishes/cleaners at any time.
- Dust surfaces gently with a feather duster then wipe gently with a slightly damp cloth/chamois.
- Do not allow liquids, damp clothes to remain in contact with lacquered surface for extended periods.
- Never place furniture in close proximity to heating outlets.
- Exposure to direct sunlight will cause colour fading to fabrics, leathers and timber finishes.
- Do not allow solvents, abrasives or heated objects to come in contact with the suite.
- Do not use cordless drivers or power drills to tighten your bed brackets, as over-tightening can cause the foot end rail to bow.

Contact your retailer or our sales office for further information