

Memphis – Two Piece Bed Head

Assembly Instructions

Please retain these instructions for future reference

Thank you for purchasing a Silverlynx product

As one of Australia's leading bedroom furniture manufacturers, we have long established partnerships with Australia's most successful retailers.

Customers who buy our products recognise our commitment to quality and customer satisfaction.

Silverlynx is a value's based business. Our commitment to quality, evolving design leadership, customer service and exceeding customer expectations - is unsurpassed in the industry.

Enjoy your Silverlynx bed.

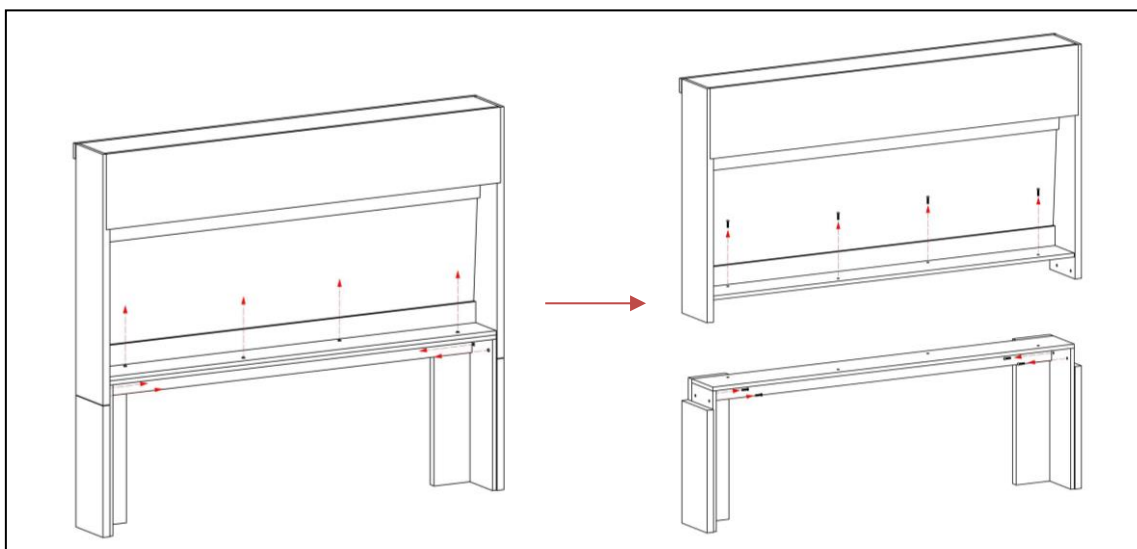
Please read through your assembly instructions carefully to ensure that you can assemble your new purchase without stress. You have been provided with detailed instructions on how to prepare and assemble your bedroom suite.

Memphis [Two Piece Bed Head]

NOTE – it is recommended that two people assemble this bed

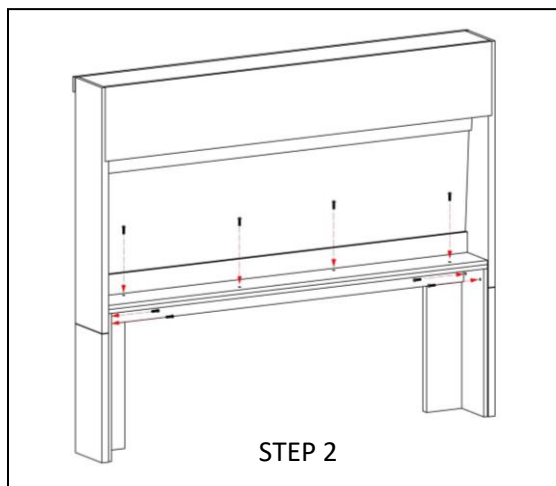
WE ADVISE YOU DO NOT USE POWERED DRILLS TO ASSEMBLE ANY PART OF THIS BED

STEP 1 – Your two-piece Bedhead has been shipped in one piece for ease of transport. When ready, remove (8x) bolts from the back of the Bedhead as shown below (using the allen key provided). You can now move the separated pieces into the space where your bed is to be set up.



STEP 2 – Place the bottom half of the Bedhead head roughly in the position where you would like your bed to be set up. Make sure to leave enough space to access the back of the bedhead. Position the top half in place and firmly secure the bolts, making sure not to overtighten.

STEP 3 – Your Bedhead should look like the diagram below. Carefully move your Bedhead into its final position. Proceed to your Assembly instructions for the rest of the Bed Frame.



NOTES

- Button head bolts should be regularly inspected and may need to be retightened periodically
- **Never drag or move assembled bed as this may damage the bed**

CARE & MAINTENANCE

Your Silver Lynx product is crafted with care, properly maintained, it will mature over time developing a rich deep patina enhancing its appearance. To get the best performance from your Silver Lynx product, please follow the simple care instructions listed below.

- Do not use silicone based polishes/cleaners at any time.
- Dust surfaces gently with a feather duster then wipe gently with a slightly damp cloth/chamois.
- Do not allow liquids, damp clothes to remain in contact with lacquered surface for extended periods.
- Never place furniture in close proximity to heating outlets.
- Exposure to direct sunlight will cause colour fading to fabrics, leathers and timber finishes.
- Do not allow solvents, abrasives or heated objects to come in contact with the suite.
- Do not use cordless drivers or power drills to tighten your bed brackets, as over-tightening can cause the foot end rail to bow.

Contact your retailer or our sales office for further information